

LOW EAVE EXTENSION DETAILS (WITH EAVE STRUT)

- AN1000 - INTERMEDIATE CONNECTION @ LOW EAVE EXT. BEAM DETAIL
- AN1010 - LOW EAVE EXT. W/ FLUSH GIRTS @ MAIN FRAMES
- AN1020 - LOW EAVE EXT. W/ INSET GIRTS @ MAIN FRAMES
- AN1030 - LOW EAVE EXT. W/ BYPASS GIRTS @ MAIN FRAMES W/ KNEE > 1'-3"
- AN1040 - LOW EAVE EXT. W/ BYPASS GIRTS @ MAIN FRAMES W/ KNEE < 1'-3"
- AN1050 - LOW EAVE EXT. @ POST & BEAM ENDWALL

LOW EAVE EXTENSION DETAILS (WITH REVERSE PURLIN)

- AN1100 - INTERMEDIATE CONNECTION @ LOW EAVE EXT. BEAM DETAIL
- AN1110 - LOW EAVE EXT. W/ FLUSH GIRTS @ MAIN FRAMES
- AN1120 - LOW EAVE EXT. W/ INSET GIRTS @ MAIN FRAMES
- AN1130 - LOW EAVE EXT. W/ BYPASS GIRTS @ MAIN FRAMES W/ KNEE > 1'-3"
- AN1140 - LOW EAVE EXT. W/ BYPASS GIRTS @ MAIN FRAMES W/ KNEE < 1'-3"
- AN1150 - LOW EAVE EXT. @ POST & BEAM ENDWALL

HIGH EAVE EXTENSION DETAILS

- AN1200 - HIGH EAVE EXT. W/ FLUSH GIRTS @ MAIN FRAMES
- AN1210 - HIGH EAVE EXT. W/ INSET GIRTS @ MAIN FRAMES
- AN1220 - HIGH EAVE EXT. W/ BYPASS GIRTS @ MAIN FRAMES W/ KNEE > 1'-3"
- AN1230 - HIGH EAVE EXT. W/ BYPASS GIRTS @ MAIN FRAMES W/ KNEE < 1'-3"
- AN1240 - HIGH EAVE EXT. @ POST & BEAM ENDWALL

EAVE MEMBER/PURLIN/GIRT CONNECTION DETAILS

- AN2000 - E.S. CONNECTION @ EXT. BEAM (8" & 9 1/2" SEC.)
- AN2010 - R.P. CONNECTION @ EXT. BEAM (8" & 9 1/2" SEC.)
- AN2020 - INTERMEDIATE PURLIN CONNECTION @ EXT. BEAM (8" & 9 1/2" SEC.)
- AN2030 - E.S. CONNECTION @ EXT. BEAM (12" SEC.)
- AN2040 - R.P. CONNECTION @ EXT. BEAM (12" SEC.)
- AN2050 - INTERMEDIATE PURLIN CONNECTION @ EXT. BEAM (12" SEC.)
- AN2100 - HIGH EAVE BOLTED GIRT CONNECTION

LOW EAVE EXTENSION DETAILS (PLAN VIEW)

- AN3000 - LOW EAVE EXT. TERM. @ FLUSH/INSET OR MAIN FRAME ENDWALL
- AN3010 - LOW EAVE EXT. TERM. @ BYPASS OR MAIN FRAME ENDWALL
- AN3020 - LOW EAVE & RAKE EXT. TERM. @ BYPASS OR MAIN FRAME ENDWALL
- AN3030 - LOW EAVE EXT. @ MAIN FRAME
- AN3040 - LOW EAVE EXT. TERM. @ MAIN FRAMES
- AN3100 - LOW EAVE EXT. TERM. @ FLUSH/INSET OR MAIN FRAME ENDWALL
- AN3110 - LOW EAVE EXT. TERM. @ BYPASS OR MAIN FRAME ENDWALL
- AN3120 - LOW EAVE & RAKE EXT. TERM. @ BYPASS OR MAIN FRAME ENDWALL

AN3130 - LOW EAVE EXT. @ MAIN FRAMES

AN3140 - LOW EAVE EXT. TERM. @ MAIN FRAMES

HIGH EAVE EXTENSION DETAILS (PLAN VIEW)

AN3200 - HIGH EAVE EXT. TERM. @ FLUSH/INSET OR MAIN FRAME ENDWALL

AN3210 - HIGH EAVE EXT. TERM. @ BYPASS OR MAIN FRAME ENDWALL

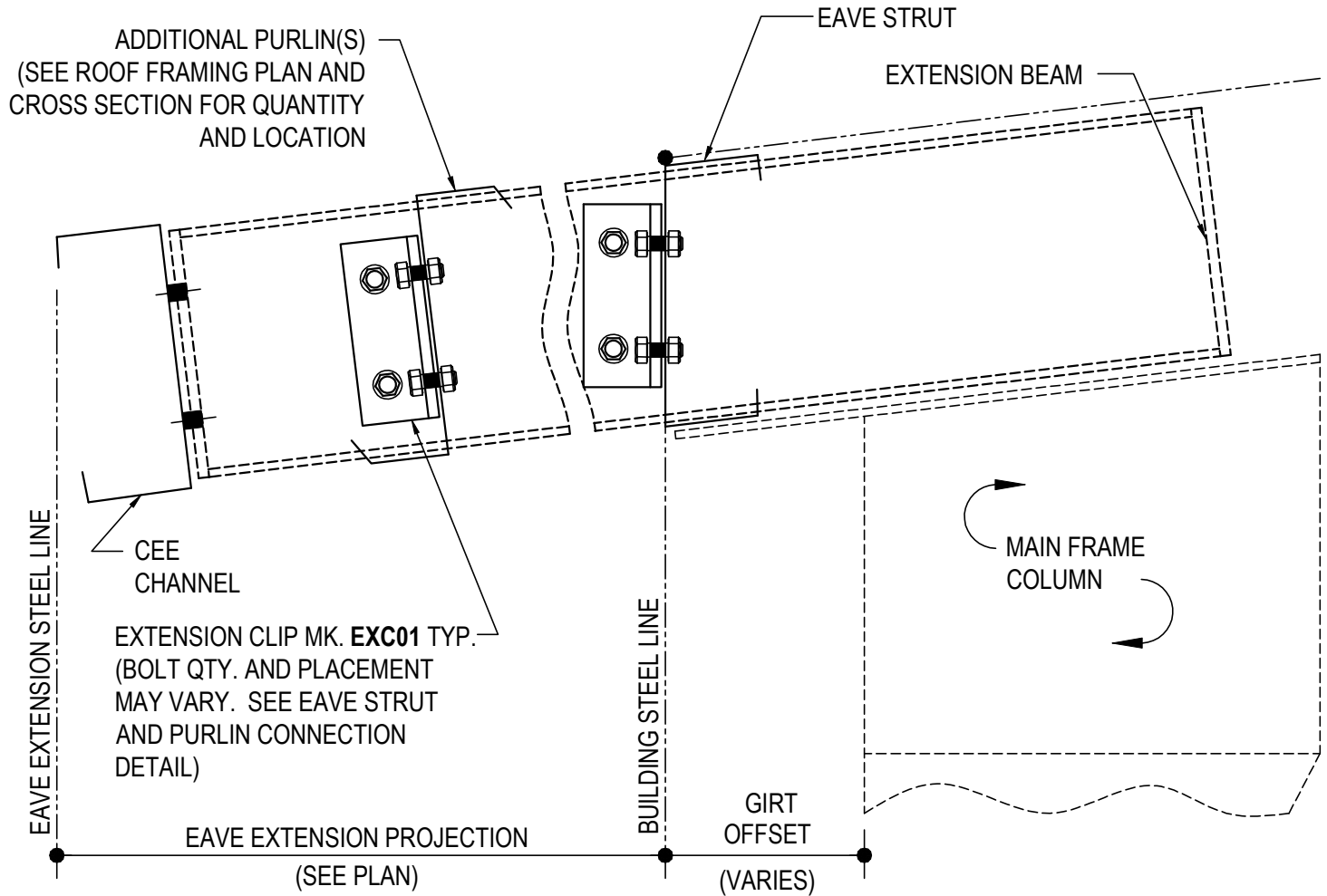
AN3220 - HIGH EAVE & RAKE EXT. TERM. @ BYPASS OR MAIN FRAME ENDWALL

AN3230 - HIGH EAVE EXT. @ MAIN FRAMES

AN1000 - INTERMEDIATE CONNECTION @ LOW EAVE EXT. BEAM DETAIL

[Download the DWG file by clicking here.](#)

THIS DETAIL IS ONLY INTENDED TO SHOW THE ORIENTATION OF ANY ADDITIONAL PURLINS WITHIN THE EAVE EXTENSION BEAM, SO THAT THE EXC01 CLIPS CAN BE PROPERLY INSTALLED (INSTALL THE EXC01 CLIP DOWNSLOPE FROM THE PURLIN AT ALL PURLIN CONNECTIONS AS SHOWN).



INTERMEDIATE PURLIN CONNECTION AT LOW EAVE EXTENSION BEAM

ADDITIONAL PURLINS IN THE EAVE EXTENSION BEAM
NOTE: USE 1/2" x 2" A325 BOLTS H0603/NUTS H0300 U.N.O.

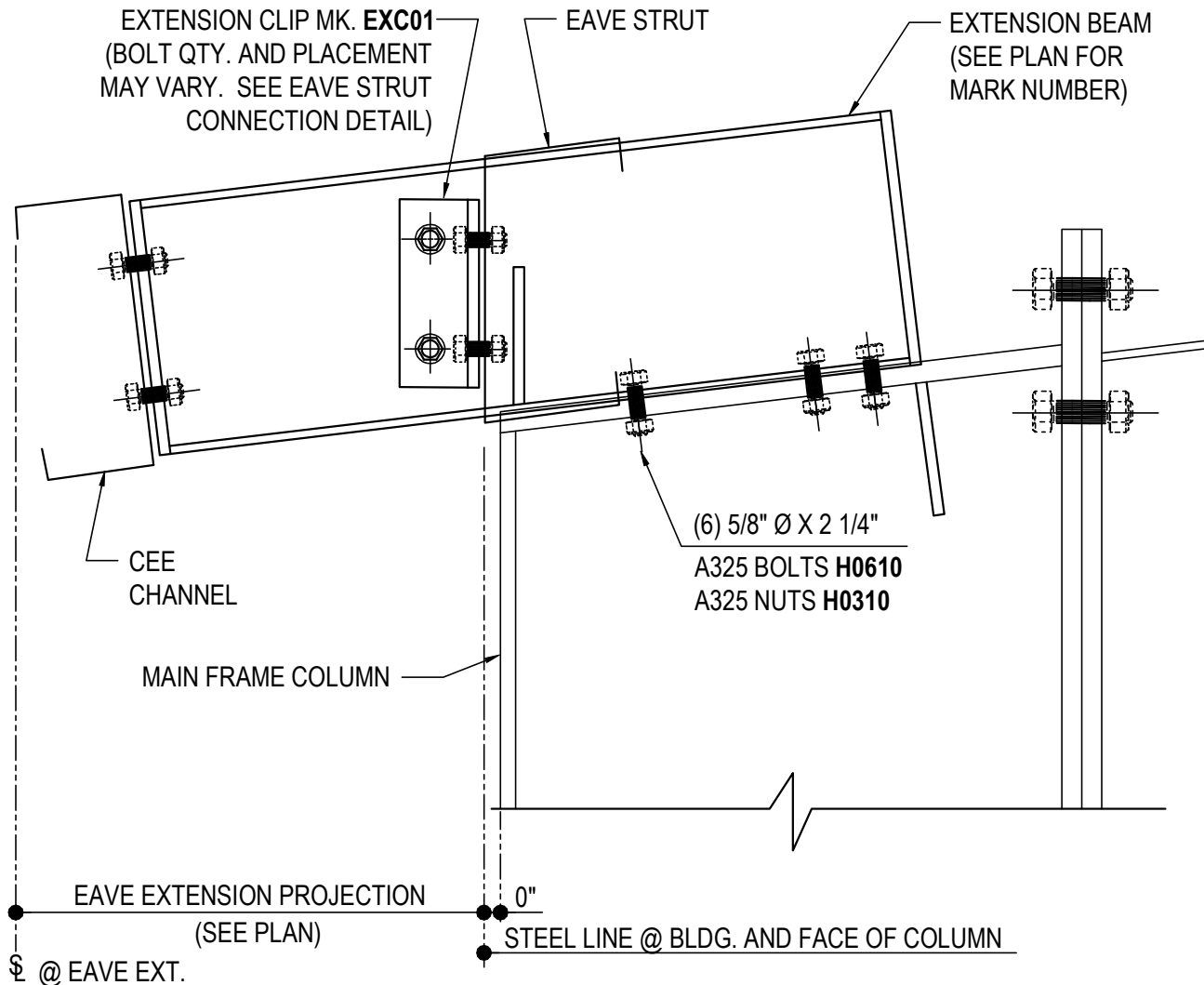
AN1000

Detailer Notes:

- 1) THIS DETAIL IS ONLY REQUIRED WHEN YOU HAVE PURLINS IN THE SPACE BETWEEN THE EAVE EXTENSION STEEL LINE AND THE BUILDING STEEL LINE.
- 2) THIS DETAIL WILL WORK WITH ALL EXTENSION BEAM DEPTHS

AN1010 - LOW EAVE EXT. W/ FLUSH GIRTS @ MAIN FRAMES

[Download the DWG file by clicking here.](#)



LOW EAVE EXTENSION DETAIL

FLUSH GIRTS AT MAIN FRAMES

NOTE: USE 1/2" x 2" A325 BOLTS H0603/NUTS H0300 U.N.O.

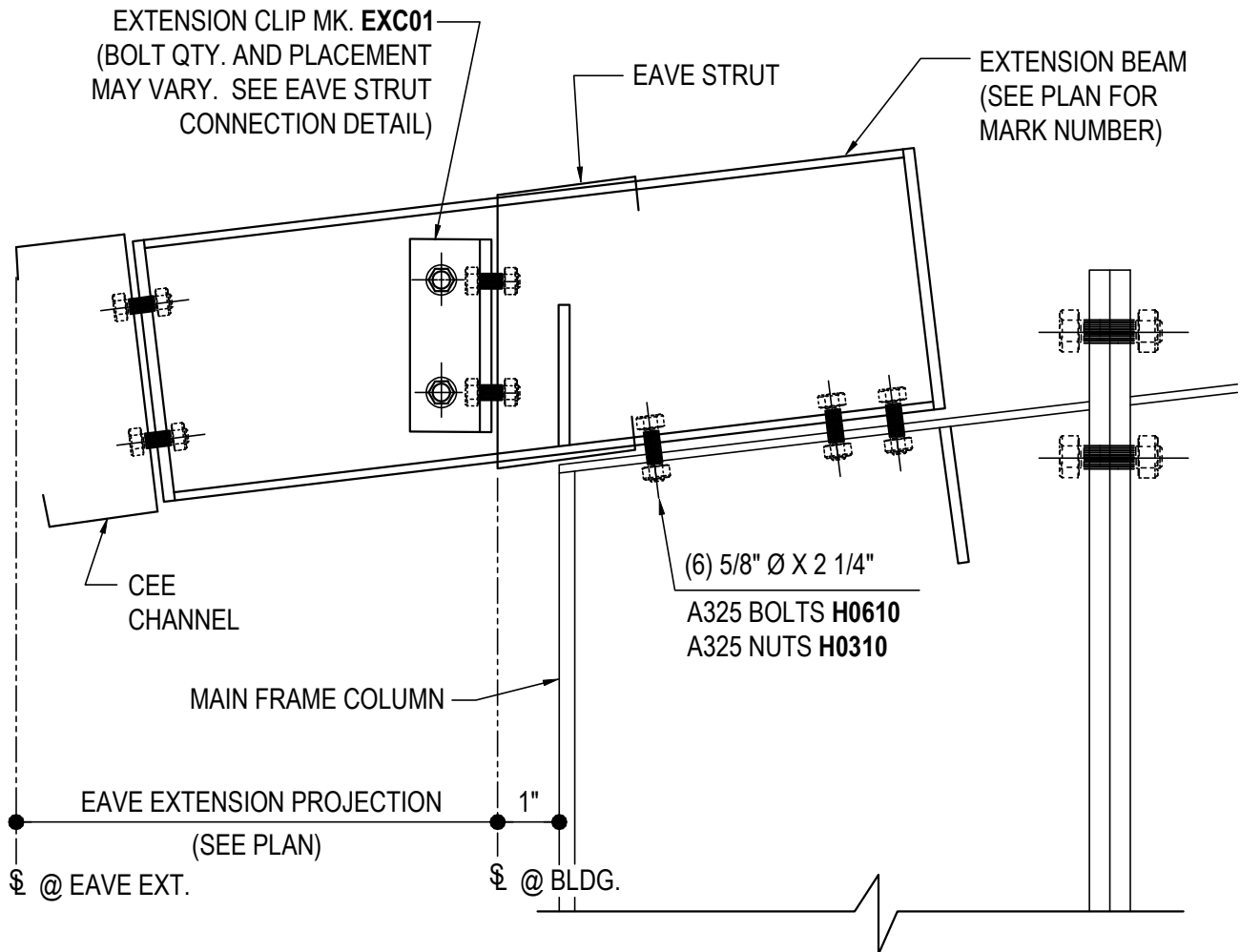
AN1010

Detailer Notes:

- 1) THIS DETAIL WILL WORK WITH ALL EXTENSION BEAM DEPTHS

AN1020 - LOW EAVE EXT. W/ INSET GIRTS @ MAIN FRAMES

[Download the DWG file by clicking here.](#)



LOW EAVE EXTENSION DETAIL

INSET GIRTS AT MAIN FRAMES

NOTE: USE 1/2" x 2" A325 BOLTS H0603/NUTS H0300 U.N.O.

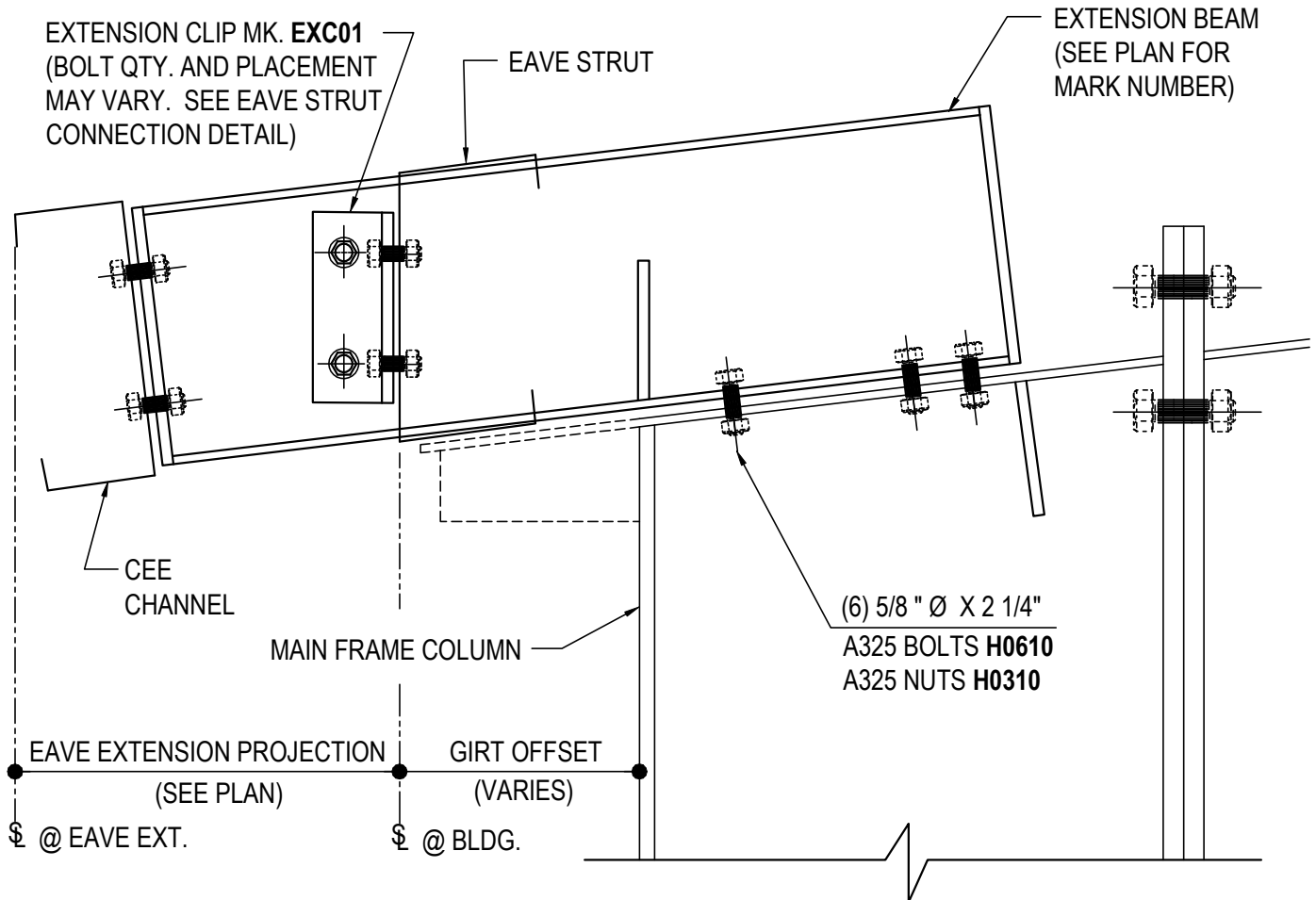
AN1020

Detailer Notes:

- 1) THIS DETAIL WILL WORK WITH ALL EXTENSION BEAM DEPTHS

AN1030 - LOW EAVE EXT. W/ BYPASS GIRTS @ MAIN FRAMES W/ KNEE > 1'-3"

[Download the DWG file by clicking here.](#)



LOW EAVE EXTENSION DETAIL

BYPASS GIRTS AT MAIN FRAMES

FOR HAUNCH DEPTH > 1'-3"

NOTE: USE 1/2" x 2" A325 BOLTS H0603/NUTS H0300 U.N.O.

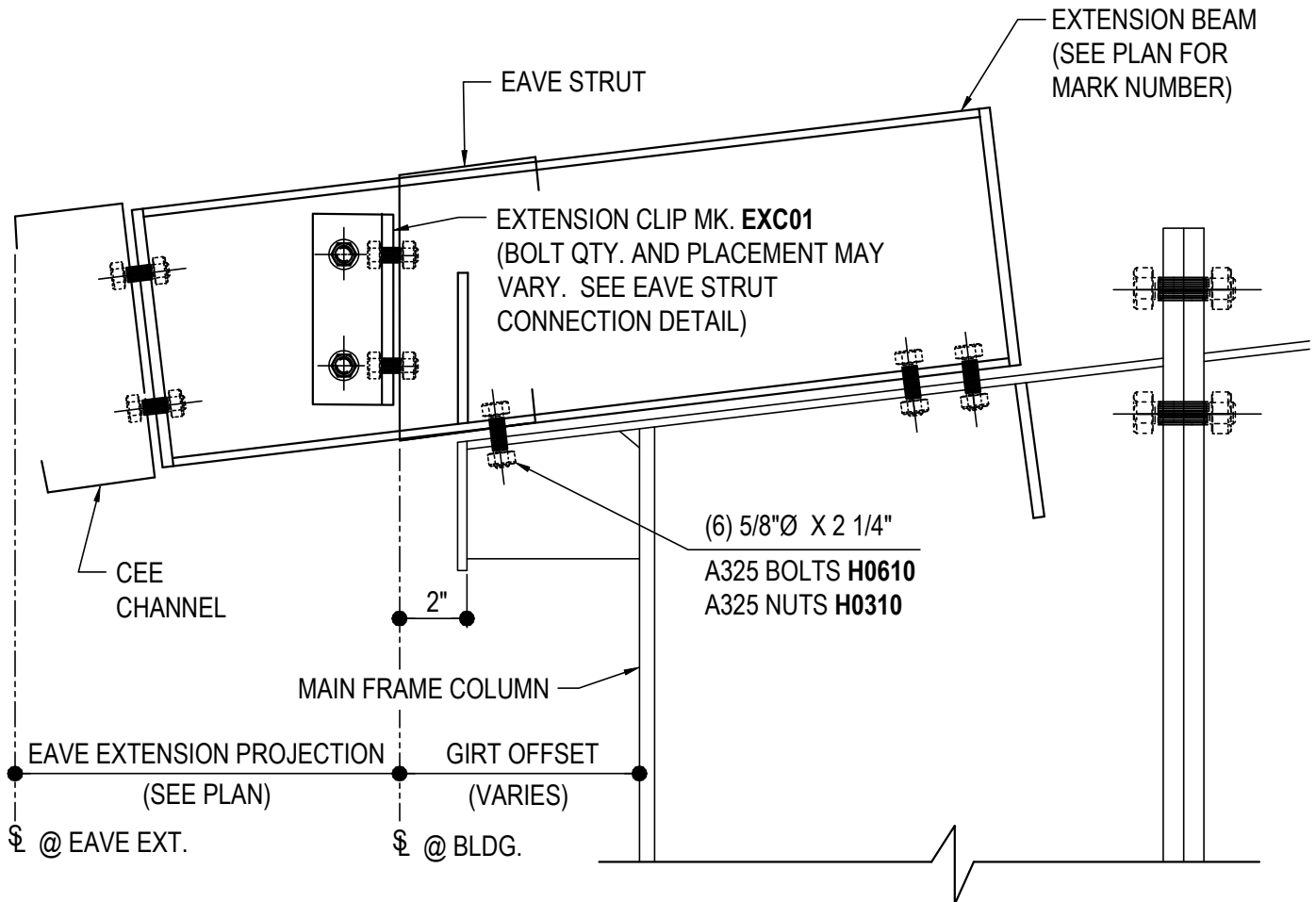
AN1030

Detailer Notes:

1) THIS DETAIL WILL WORK WITH ALL EXTENSION BEAM DEPTHS

AN1040 - LOW EAVE EXT. W/ BYPASS GIRTS @ MAIN FRAMES W/ KNEE \leq 1'-3"

[Download the DWG file by clicking here.](#)



LOW EAVE EXTENSION DETAIL

BYPASS GIRTS AT MAIN FRAMES

FOR HAUNCH DEPTHS \leq 1'-3"

NOTE: USE 1/2" x 2" A325 BOLTS H0603/NUTS H0300 U.N.O.

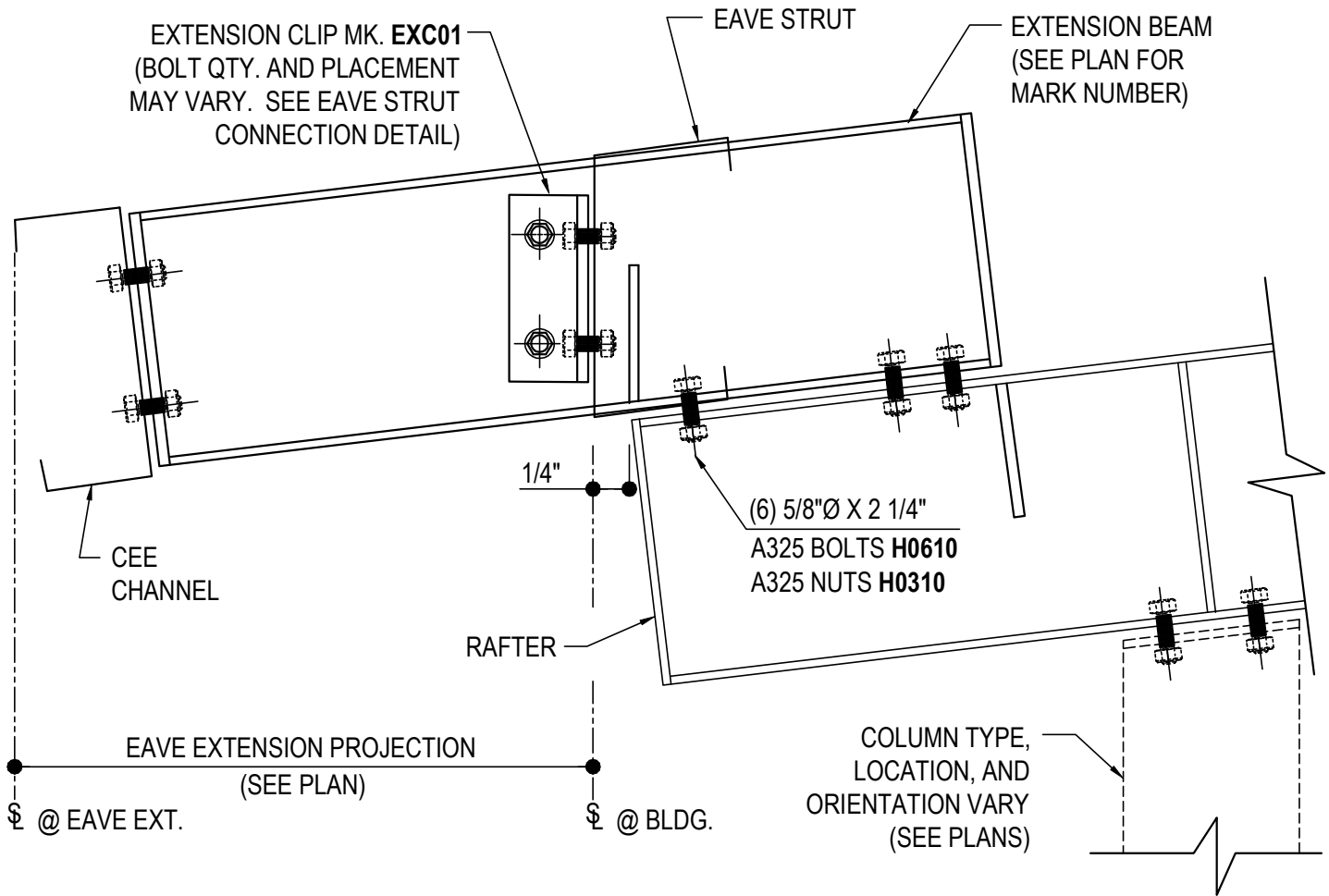
AN1040

Detailer Notes:

- 1) THIS DETAIL WILL WORK WITH ALL EXTENSION BEAM DEPTHS

AN1050 - LOW EAVE EXT. @ POST & BEAM ENDWALL

[Download the DWG file by clicking here.](#)



LOW EAVE EXTENSION DETAIL

POST AND BEAM ENDWALL

NOTE: USE 1/2" x 2" A325 BOLTS H0603/NUTS H0300 U.N.O.

AN1050

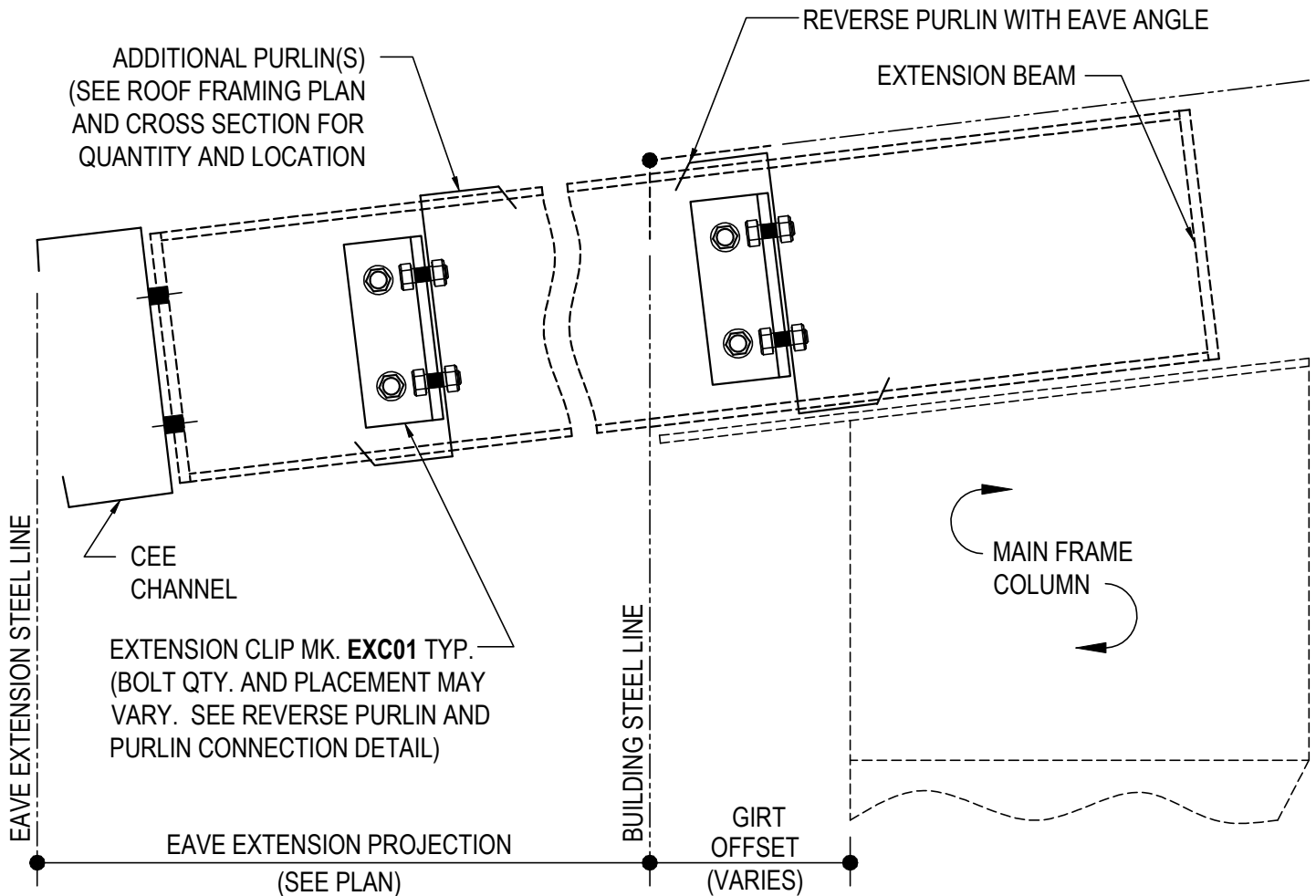
Detailer Notes:

- 1) THIS DETAIL WILL WORK WITH ALL EXTENSION BEAM DEPTHS

AN1100 - INTERMEDIATE CONNECTION @ LOW EAVE EXT. BEAM DETAIL

[Download the DWG file by clicking here.](#)

THIS DETAIL IS ONLY INTENDED TO SHOW THE ORIENTATION OF ANY ADDITIONAL PURLINS WITHIN THE EAVE EXTENSION BEAM, SO THAT THE EXC01 CLIPS CAN BE PROPERLY INSTALLED (INSTALL THE EXC01 CLIP DOWNSLOPE FROM THE PURLIN AT ALL PURLIN CONNECTIONS AS SHOWN).



INTERMEDIATE PURLIN CONNECTION AT LOW EAVE EXTENSION BEAM

ADDITIONAL PURLINS IN THE EAVE EXTENSION BEAM
NOTE: USE 1/2" x 2" A325 BOLTS H0603/NUTS H0300 U.N.O.

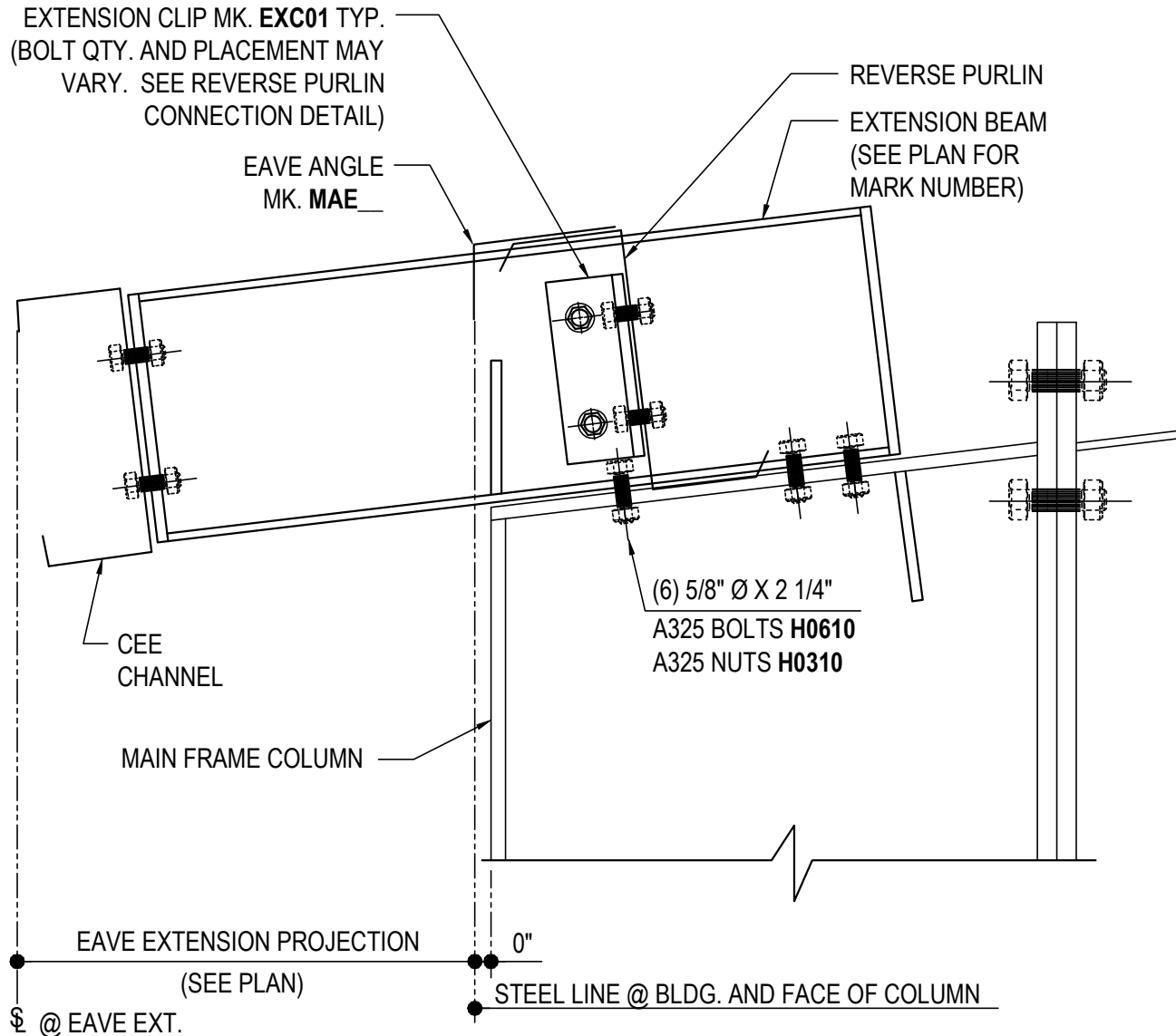
AN1100

Detailer Notes:

- 1) THIS DETAIL IS ONLY REQUIRED WHEN YOU HAVE PURLINS IN THE SPACE BETWEEN THE EAVE EXTENSION STEEL LINE AND THE BUILDING STEEL LINE.
- 2) THIS DETAIL WILL WORK WITH ALL EXTENSION BEAM DEPTHS
- 3) YOU WILL STILL NEED TO HAVE DETAIL BA0340 FOR EAVE ANGLE ATTACHMENT

AN1110 - LOW EAVE EXT. W/ FLUSH GIRTS @ MAIN FRAMES

[Download the DWG file by clicking here.](#)



LOW EAVE EXTENSION DETAIL

FLUSH GIRTS AT MAIN FRAMES

NOTE: USE 1/2" x 2" A325 BOLTS H0603/NUTS H0300 U.N.O.

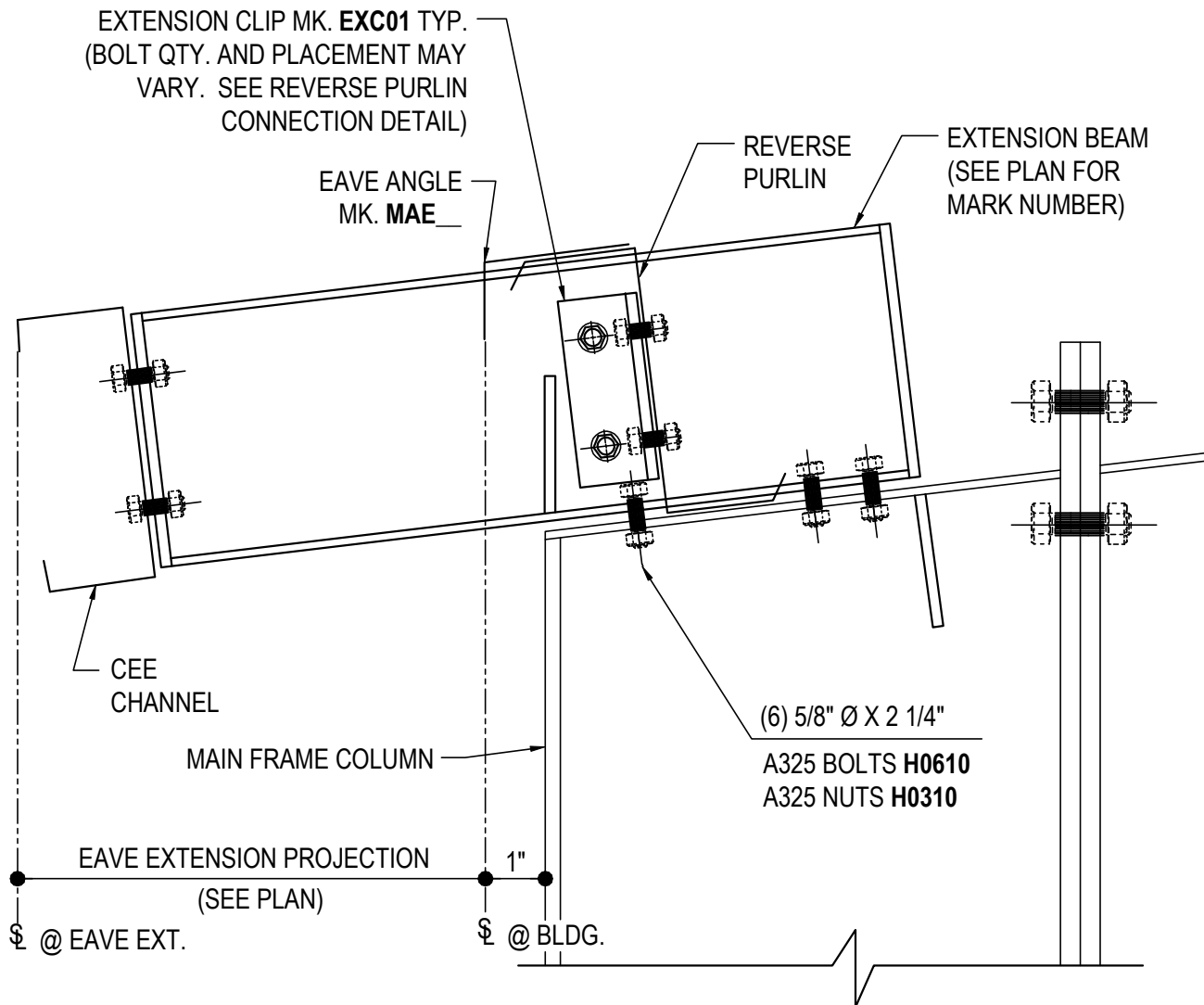
AN1110

Detailer Notes:

- 1) THIS DETAIL WILL WORK WITH ALL EXTENSION BEAM DEPTHS
- 2) YOU WILL STILL NEED TO HAVE DETAIL BA0340 FOR EAVE ANGLE ATTACHMENT

AN1120 - LOW EAVE EXT. W/ INSET GIRTS @ MAIN FRAMES

[Download the DWG file by clicking here.](#)



LOW EAVE EXTENSION DETAIL

INSET GIRTS AT MAIN FRAMES

NOTE: USE 1/2" x 2" A325 BOLTS H0603/NUTS H0300 U.N.O.

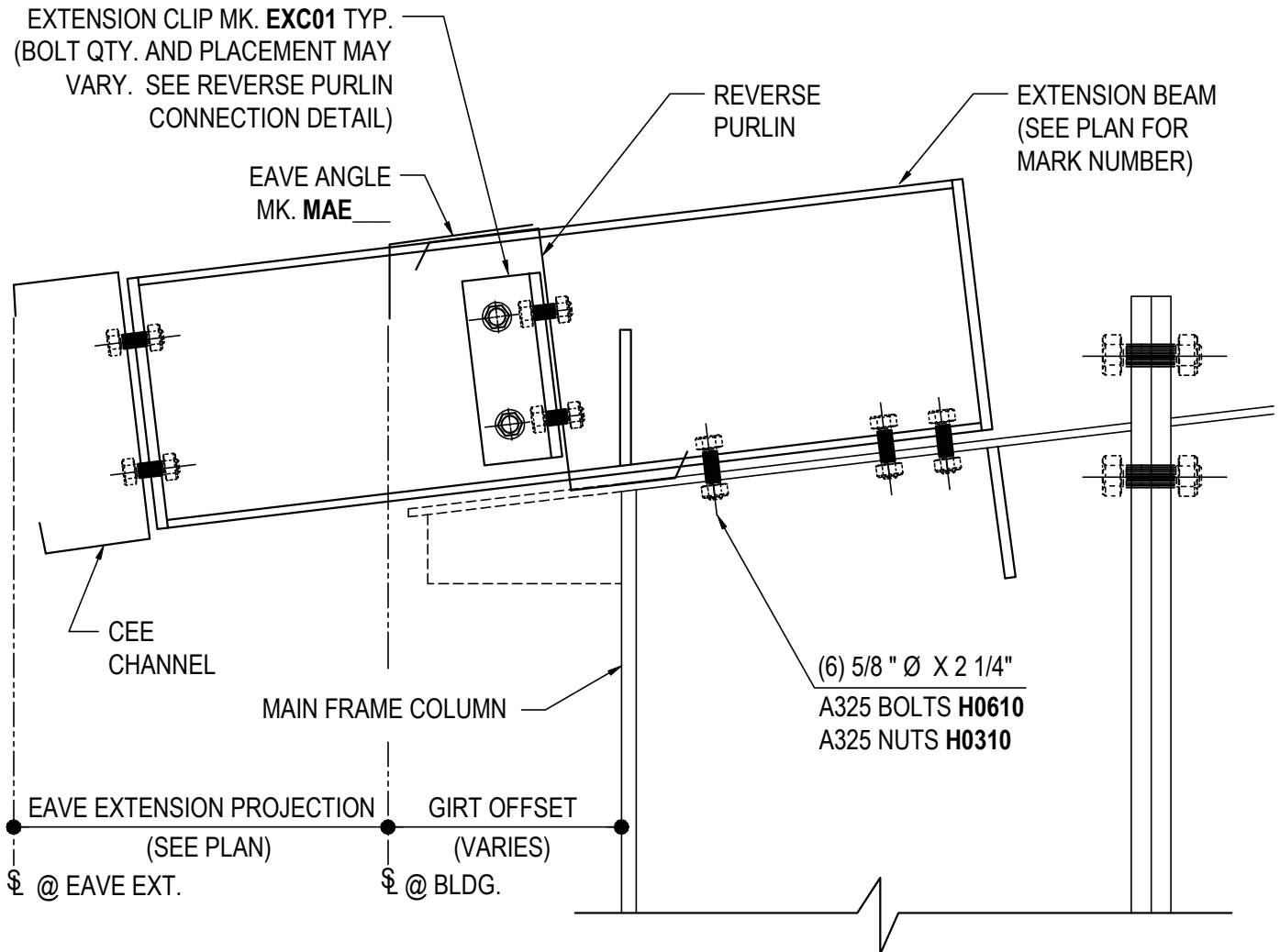
AN1120

Detailer Notes:

- 1) THIS DETAIL WILL WORK WITH ALL EXTENSION BEAM DEPTHS
- 2) YOU WILL STILL NEED TO HAVE DETAIL BA0340 FOR EAVE ANGLE ATTACHMENT

AN1130 - LOW EAVE EXT. W/ BYPASS GIRTS @ MAIN FRAMES W/ KNEE > 1'-3"

[Download the DWG file by clicking here.](#)



LOW EAVE EXTENSION DETAIL

BYPASS GIRTS AT MAIN FRAMES

FOR HAUNCH DEPTHS > 1'-3"

NOTE: USE 1/2" x 2" A325 BOLTS H0603/NUTS H0300 U.NO.

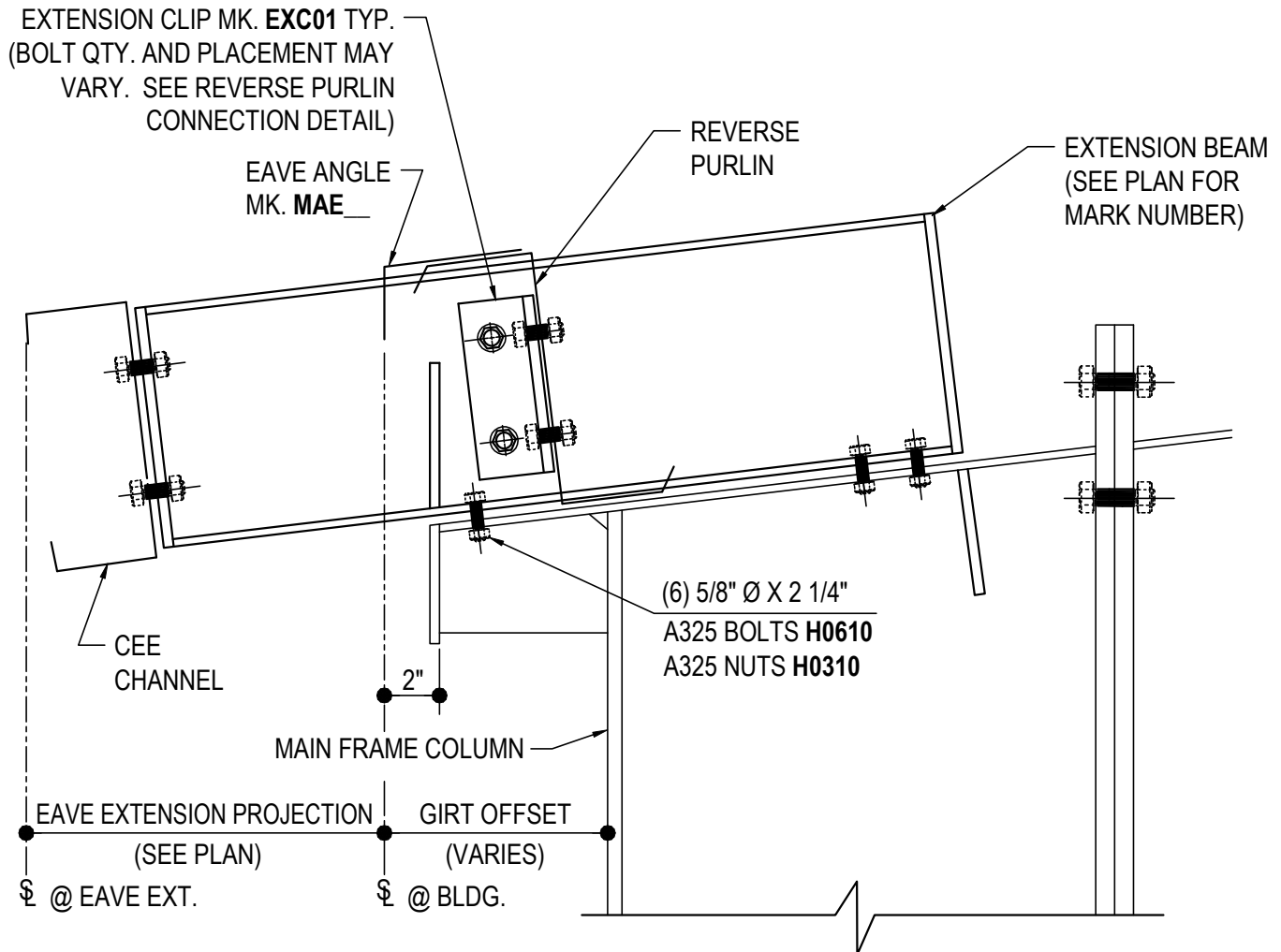
AN1130

Detailer Notes:

- 1) THIS DETAIL WILL WORK WITH ALL EXTENSION BEAM DEPTHS
- 2) YOU WILL STILL NEED TO HAVE DETAIL BA0340 FOR EAVE ANGLE ATTACHMENT

AN1140 - LOW EAVE EXT. W/ BYPASS GIRTS @ MAIN FRAMES W/ KNEE \leq 1'-3"

[Download the DWG file by clicking here.](#)



LOW EAVE EXTENSION DETAIL

BYPASS GIRTS AT MAIN FRAMES
FOR HAUNCH DEPTHS \leq 1'-3"

NOTE: USE 1/2" x 2" A325 BOLTS H0603/NUTS H0300 U.N.O.

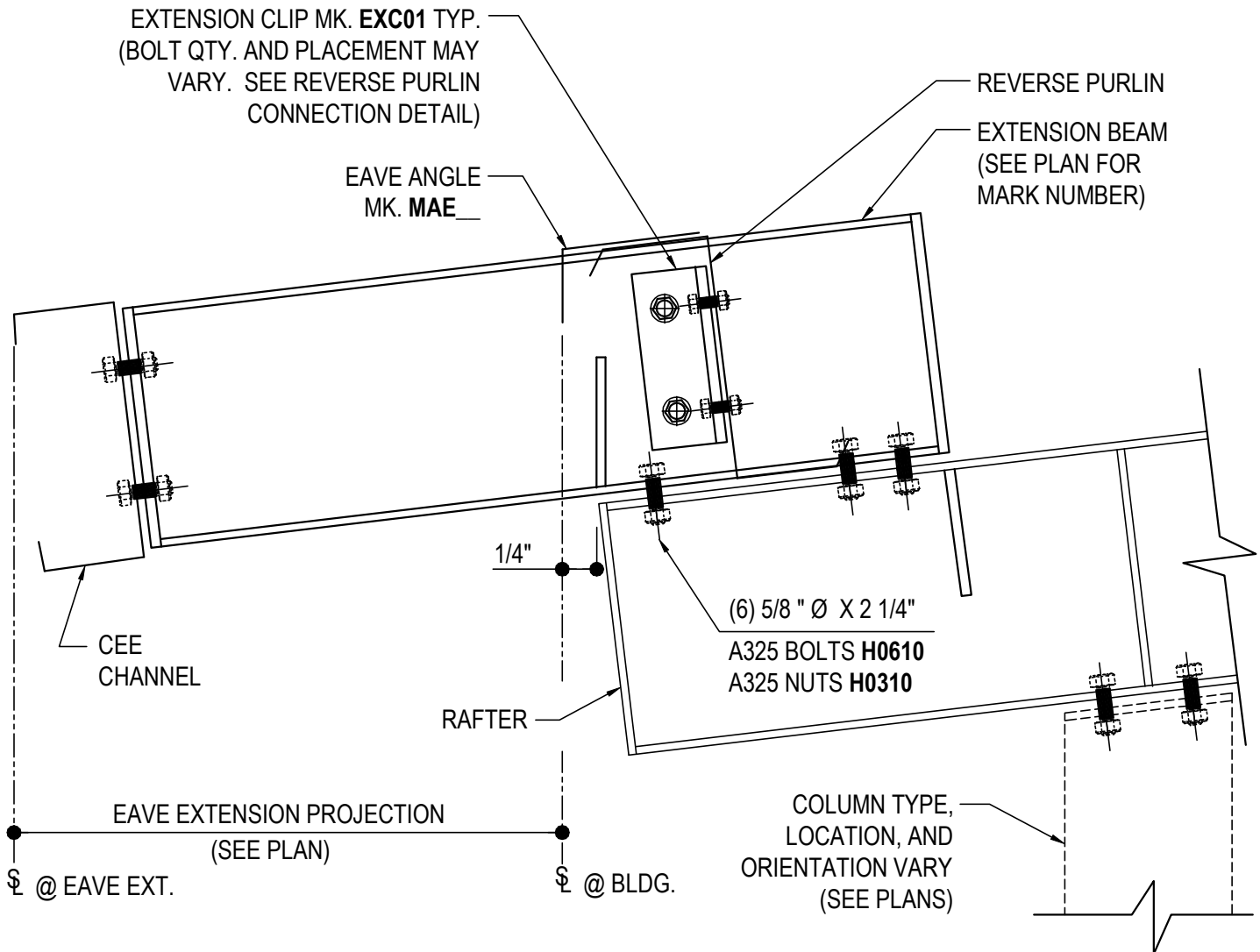
AN1140

Detailer Notes:

- 1) THIS DETAIL WILL WORK WITH ALL EXTENSION BEAM DEPTHS
- 2) YOU WILL STILL NEED TO HAVE DETAIL BA0340 FOR EAVE ANGLE ATTACHMENT

AN1150 - LOW EAVE EXT. @ POST & BEAM ENDWALL

[Download the DWG file by clicking here.](#)



LOW EAVE EXTENSION DETAIL

POST AND BEAM ENDWALL

NOTE: USE 1/2" x 2" A325 BOLTS H0603/NUTS H0300 U.N.O.

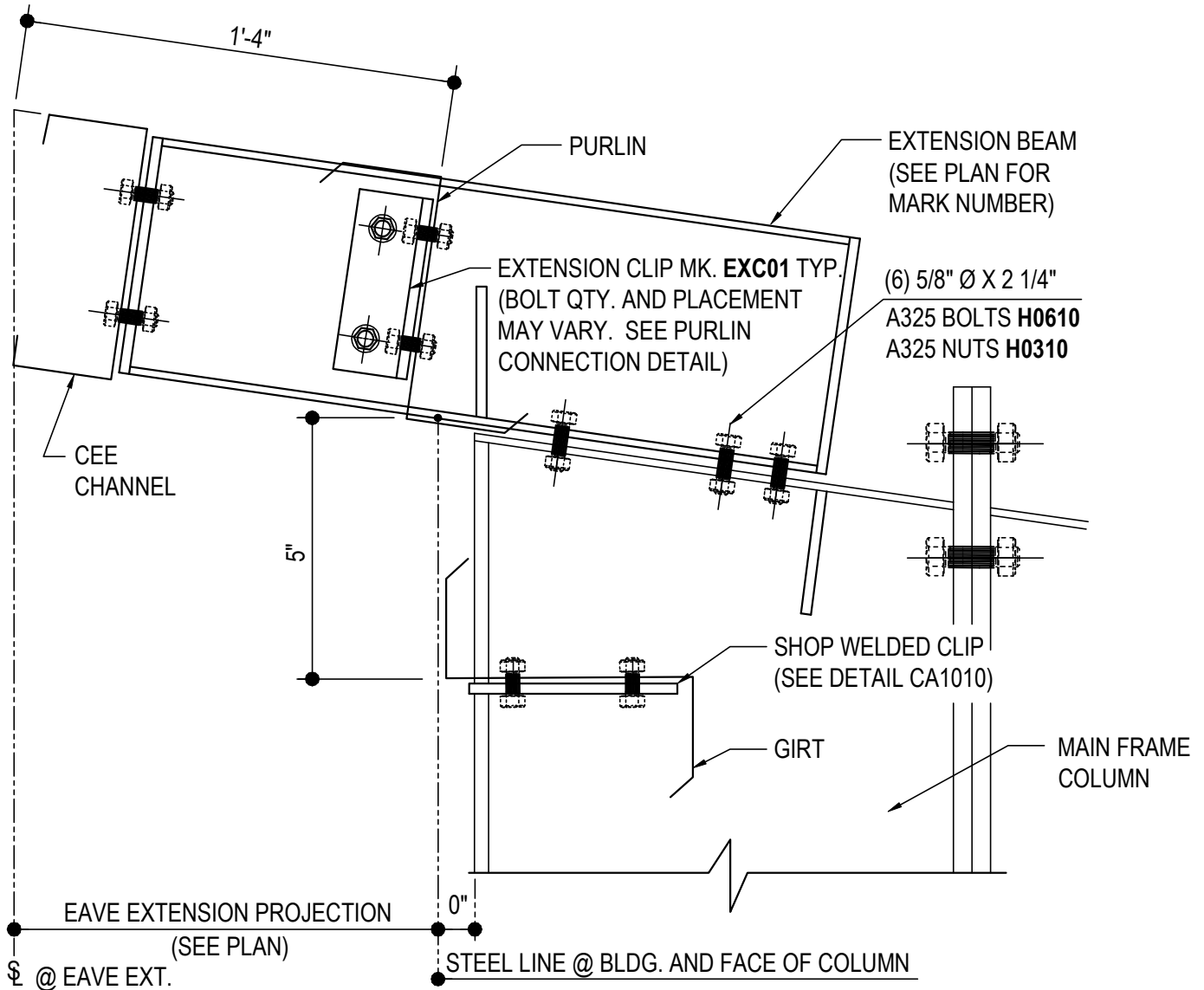
AN1150

Detailer Notes:

- 1) THIS DETAIL WILL WORK WITH ALL EXTENSION BEAM DEPTHS
- 2) YOU WILL STILL NEED TO HAVE DETAIL BA0340 FOR EAVE ANGLE ATTACHMENT

AN1200 - HIGH EAVE EXT. W/ FLUSH GIRTS @ MAIN FRAMES

[Download the DWG file by clicking here.](#)



HIGH EAVE EXTENSION DETAIL

FLUSH GIRTS AT MAIN FRAMES

NOTE: USE 1/2" x 2" A325 BOLTS H0603/NUTS H0300 U.N.O.

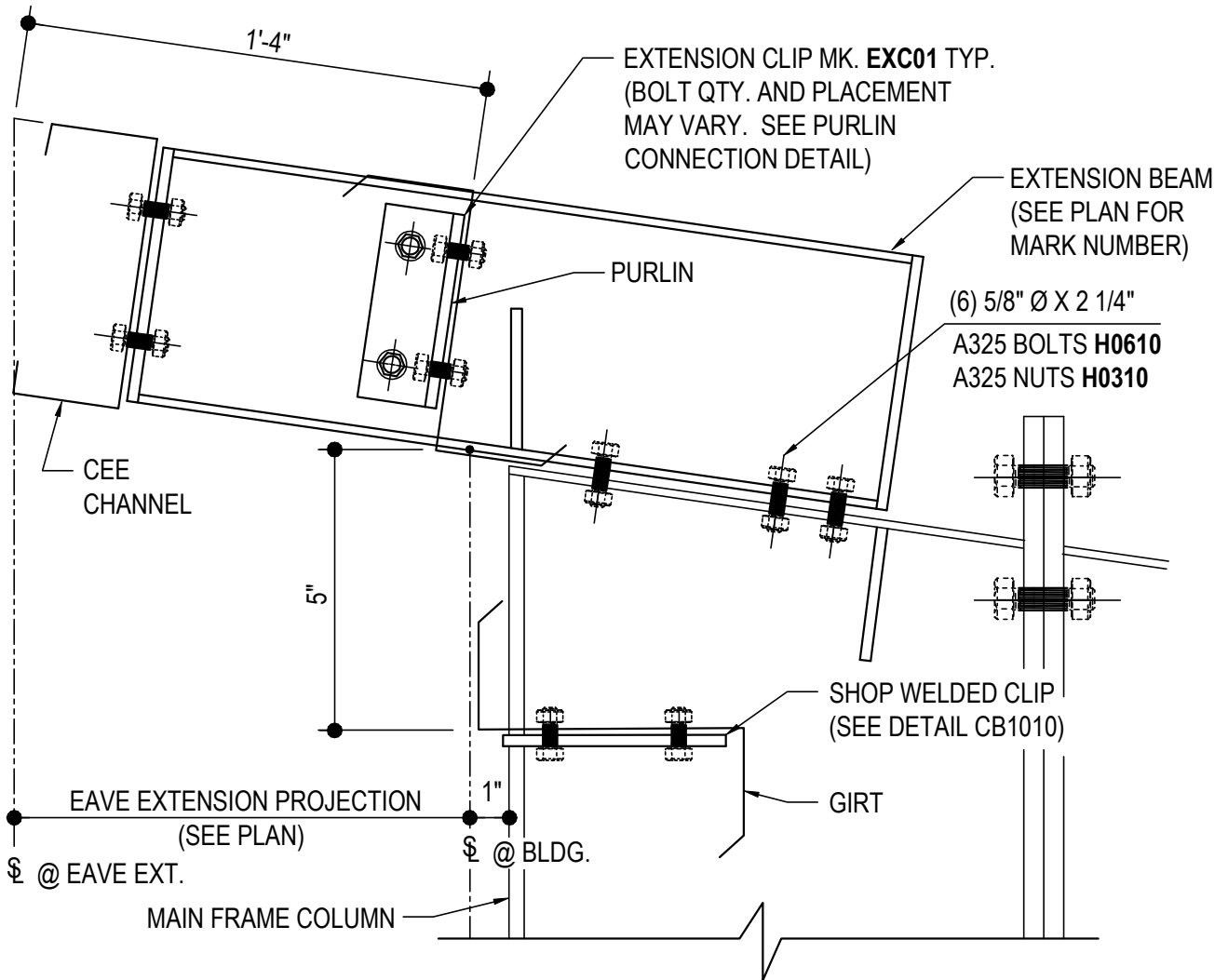
AN1200

Detailer Notes:

- 1) THIS DETAIL WILL WORK WITH ALL EXTENSION BEAM DEPTHS
- 2) SHOP WELDED CLIP = GF102

AN1210 - HIGH EAVE EXT. W/ INSET GIRTS @ MAIN FRAMES

[Download the DWG file by clicking here.](#)



HIGH EAVE EXTENSION DETAIL

INSET GIRTS AT MAIN FRAMES

NOTE: USE 1/2" x 2" A325 BOLTS H0603/NUTS H0300 U.N.O.

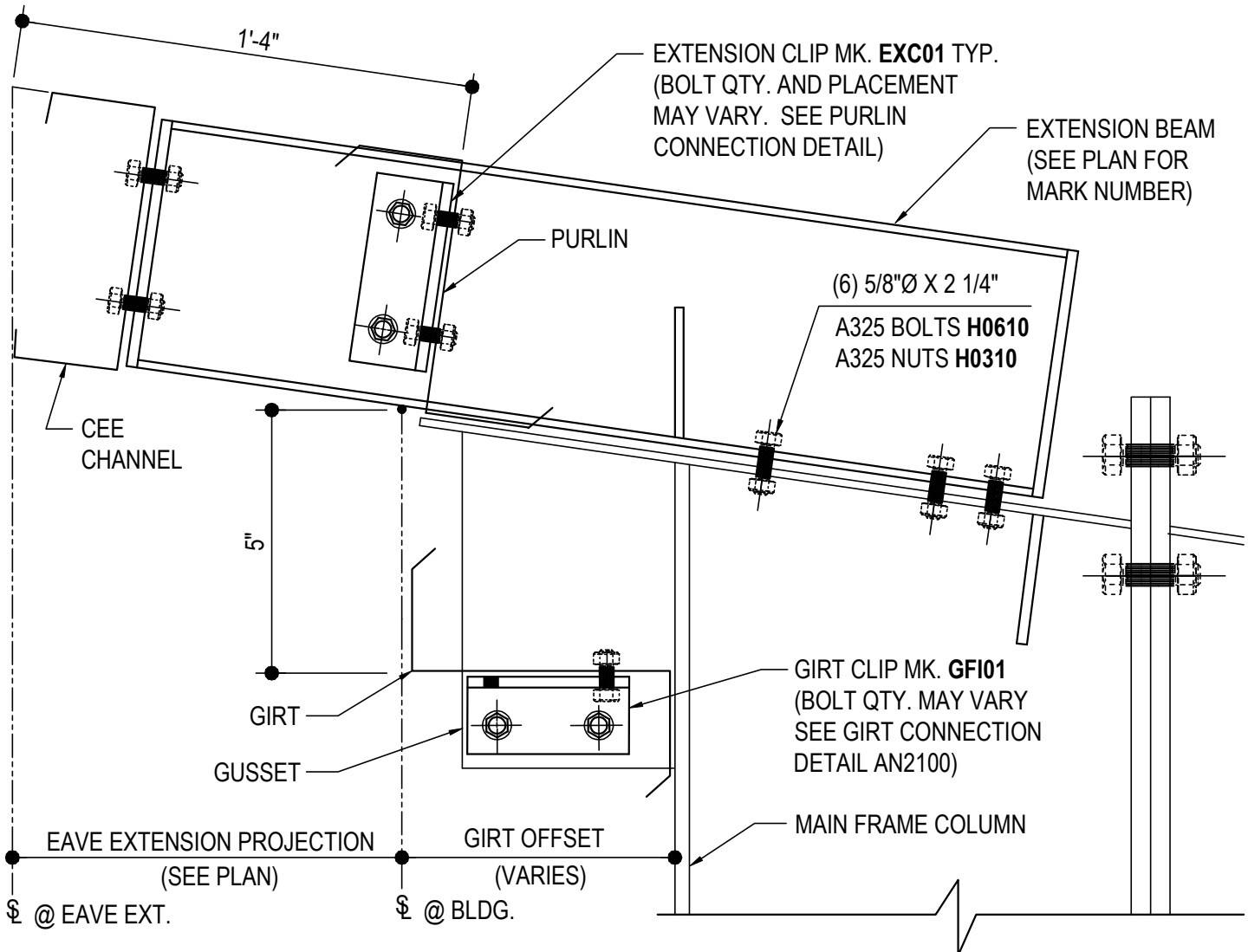
AN1210

Detailer Notes:

- 1) THIS DETAIL WILL WORK WITH ALL EXTENSION BEAM DEPTHS
- 2) SHOP WELDED CLIP = GFI02

AN1220 - HIGH EAVE EXT. W/ BYPASS GIRTS @ MAIN FRAMES W/ KNEE > 1'-3"

[Download the DWG file by clicking here.](#)



HIGH EAVE EXTENSION DETAIL

GIRT AT MAIN FRAMES W/ GUSSET (BYPASS CONDITION)
FOR HAUNCH DEPTH > 1'-3"

NOTE: USE 1/2" x 2" A325 BOLTS H0603/NUTS H0300 U.N.O.

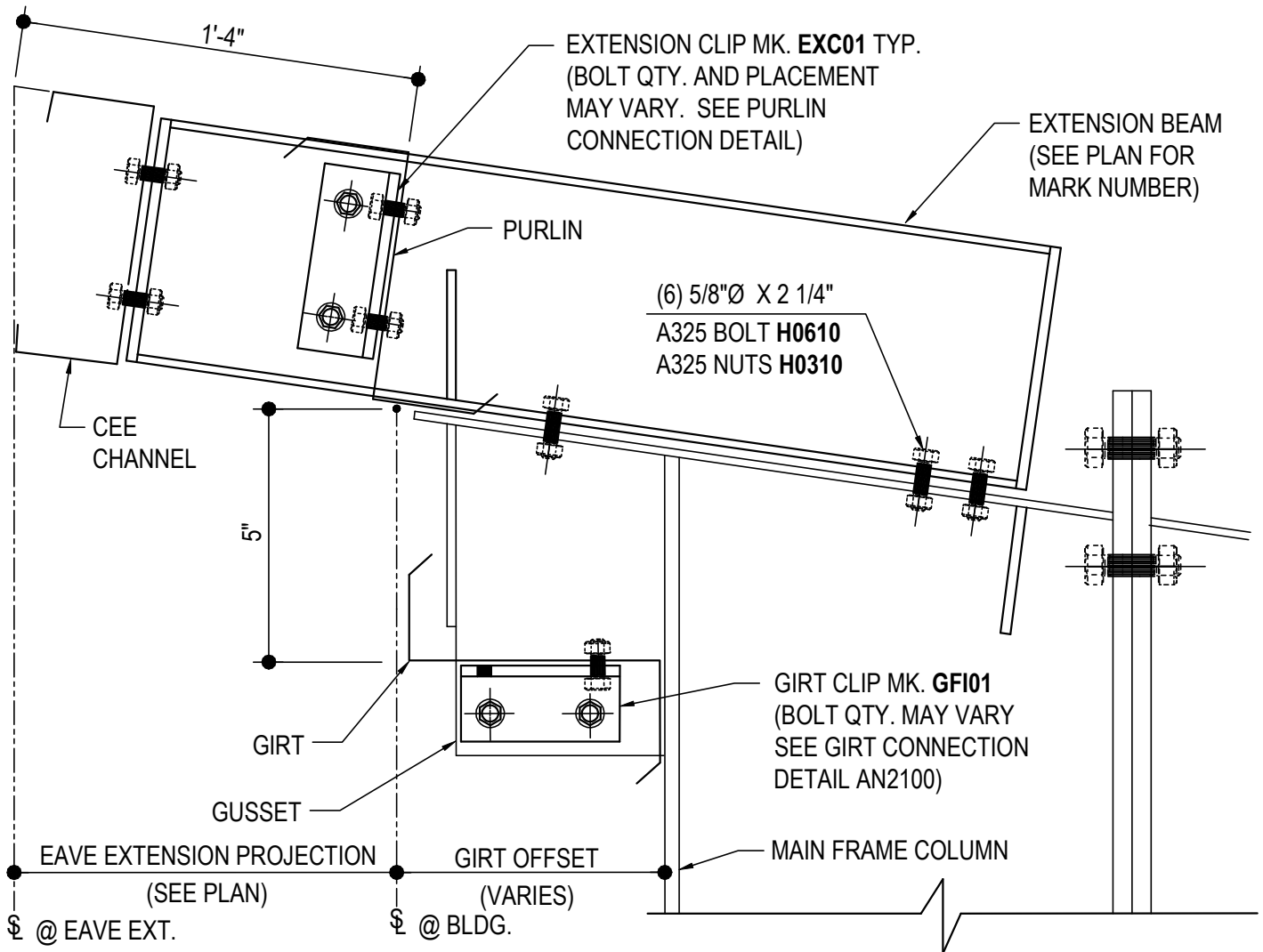
AN1220

Detailer Notes:

- 1) THIS DETAIL WILL WORK WITH ALL EXTENSION BEAM DEPTHS

AN1230 - HIGH EAVE EXT. W/ BYPASS GIRTS @ MAIN FRAMES W/ KNEE \leq 1'-3"

[Download the DWG file by clicking here.](#)



HIGH EAVE EXTENSION DETAIL

GIRT AT MAIN FRAMES W/ GUSSET (BYPASS CONDITION)
FOR HAUNCH DEPTHS \leq 1'-3"

NOTE: USE 1/2" x 2" A325 BOLTS H0603/NUTS H0300 U.N.O.

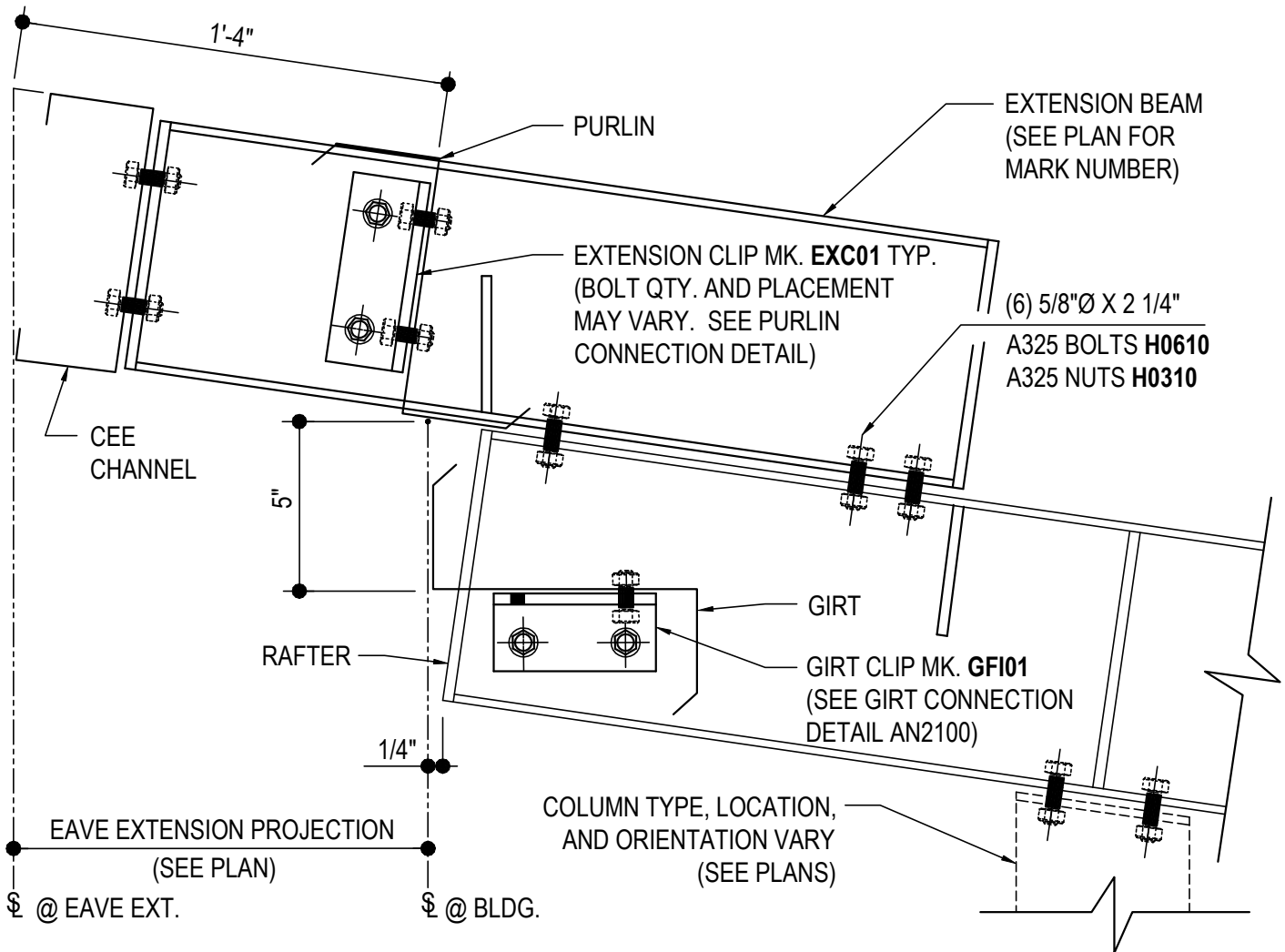
AN1230

Detailer Notes:

- 1) THIS DETAIL WILL WORK WITH ALL EXTENSION BEAM DEPTHS

AN1240 - HIGH EAVE EXT. @ POST & BEAM ENDWALL

[Download the DWG file by clicking here.](#)



HIGH EAVE EXTENSION DETAIL

POST AND BEAM ENDWALL

NOTE: USE 1/2" x 2" A325 BOLTS H0603/NUTS H0300 U.N.O.

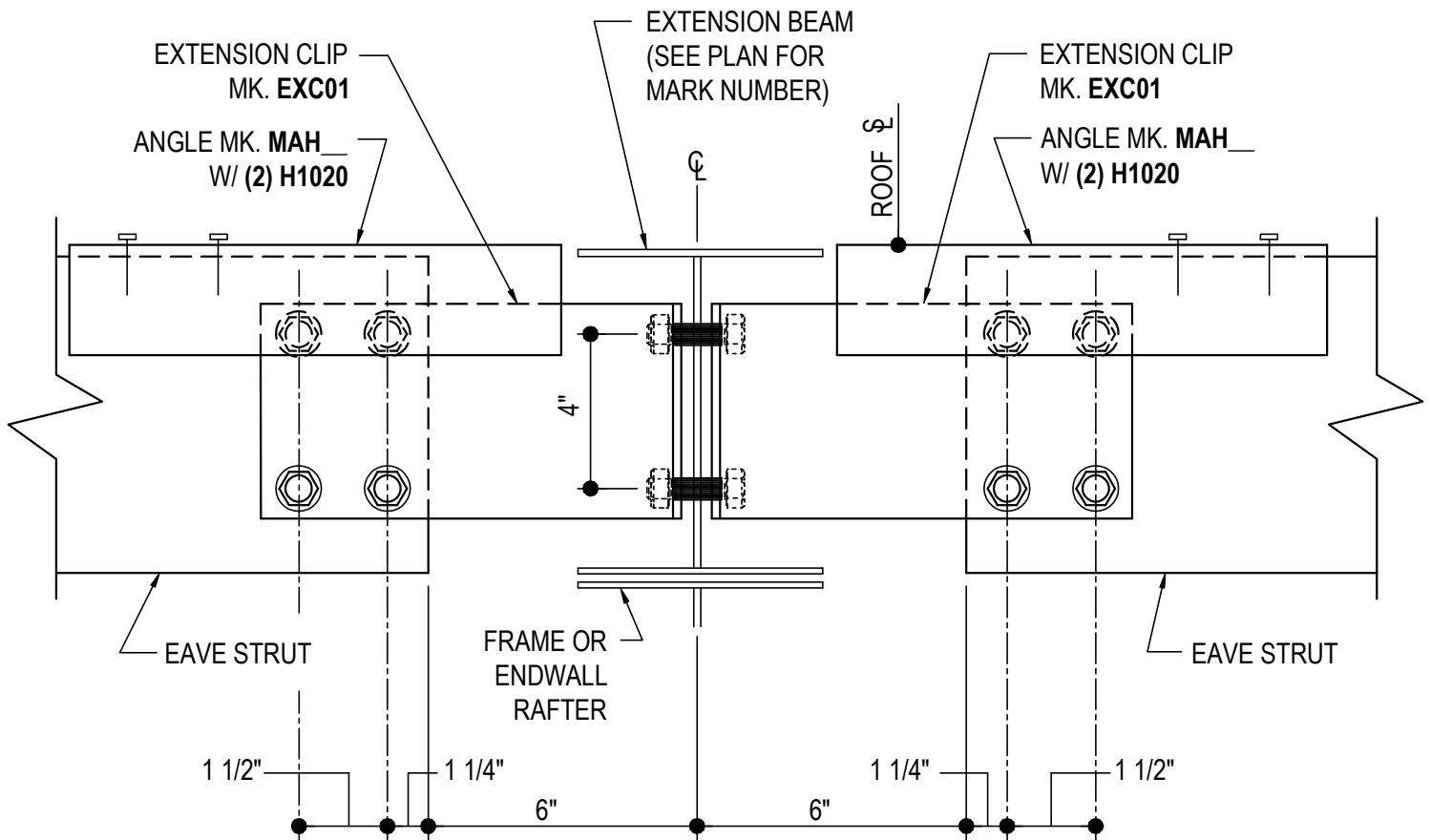
AN1240

Detailer Notes:

- 1) THIS DETAIL WILL WORK WITH ALL EXTENSION BEAM DEPTHS

AN2000 - E.S. CONNECTION @ EXT. BEAM (8" & 9 1/2" SEC.)

[Download the DWG file by clicking here.](#)



EAVE STRUT AT EAVE EXTENSION DETAIL

AT 8" AND 9 1/2" SECONDARY

NOTE: USE (10) 1/2" x 2" A325 BOLTS H0603/NUTS H0300

REFERENCE ERECTOR NOTE FOR TYPICAL WASHER REQUIREMENTS.

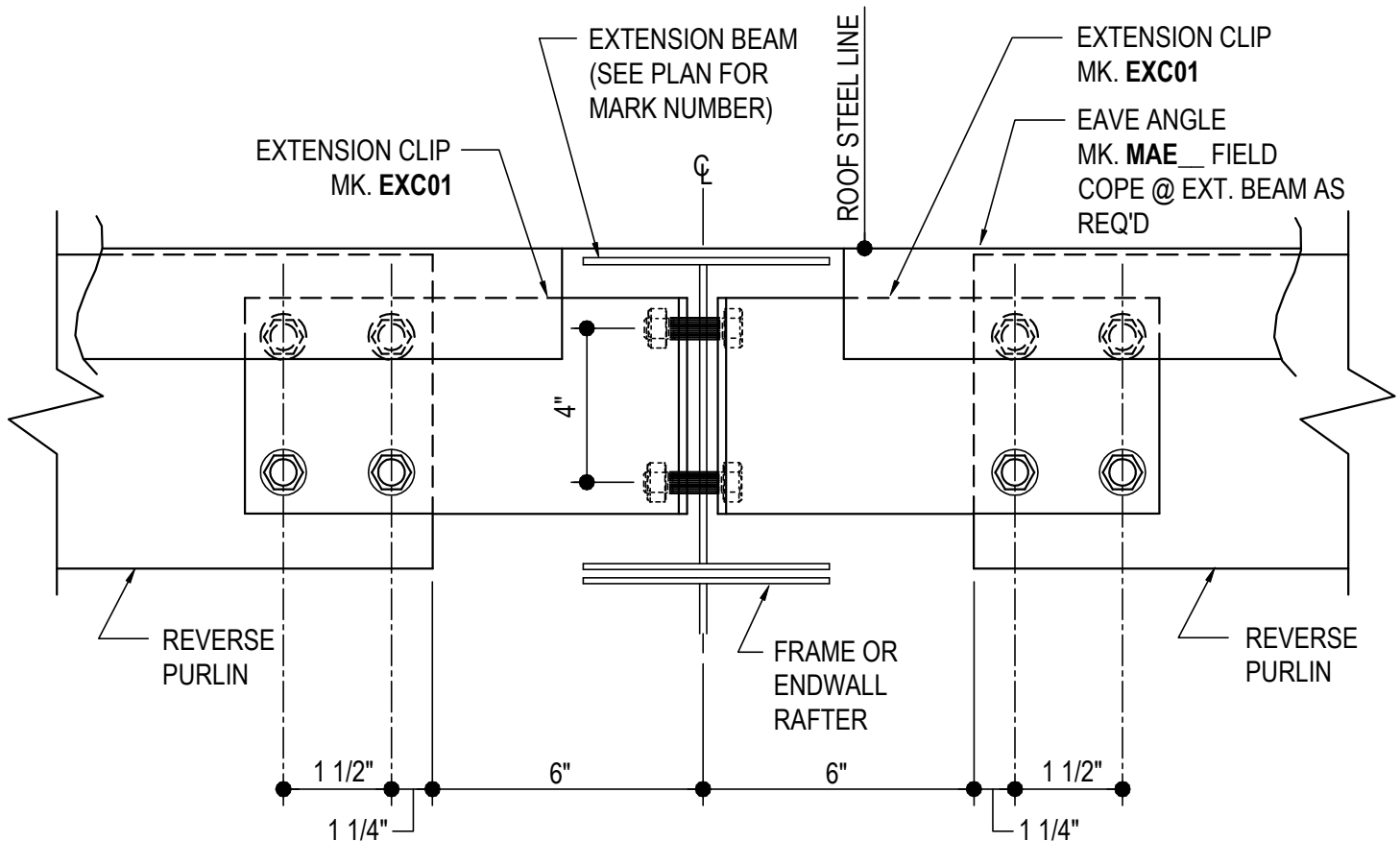
AN2000

Detailer Notes:

- 1) THIS DETAIL IS ONLY USED AT 8" AND 9 1/2" EXTENSION BEAMS.

AN2010 - R.P. CONNECTION @ EXT. BEAM (8" & 9 1/2" SEC.)

[Download the DWG file by clicking here.](#)



REVERSE PURLIN AT EAVE EXTENSION DETAIL

NOTE: USE (10) 1/2" x 2" A325 BOLTS H0603/NUTS H0300
REFERENCE ERECTOR NOTE FOR TYPICAL WASHER REQUIREMENTS

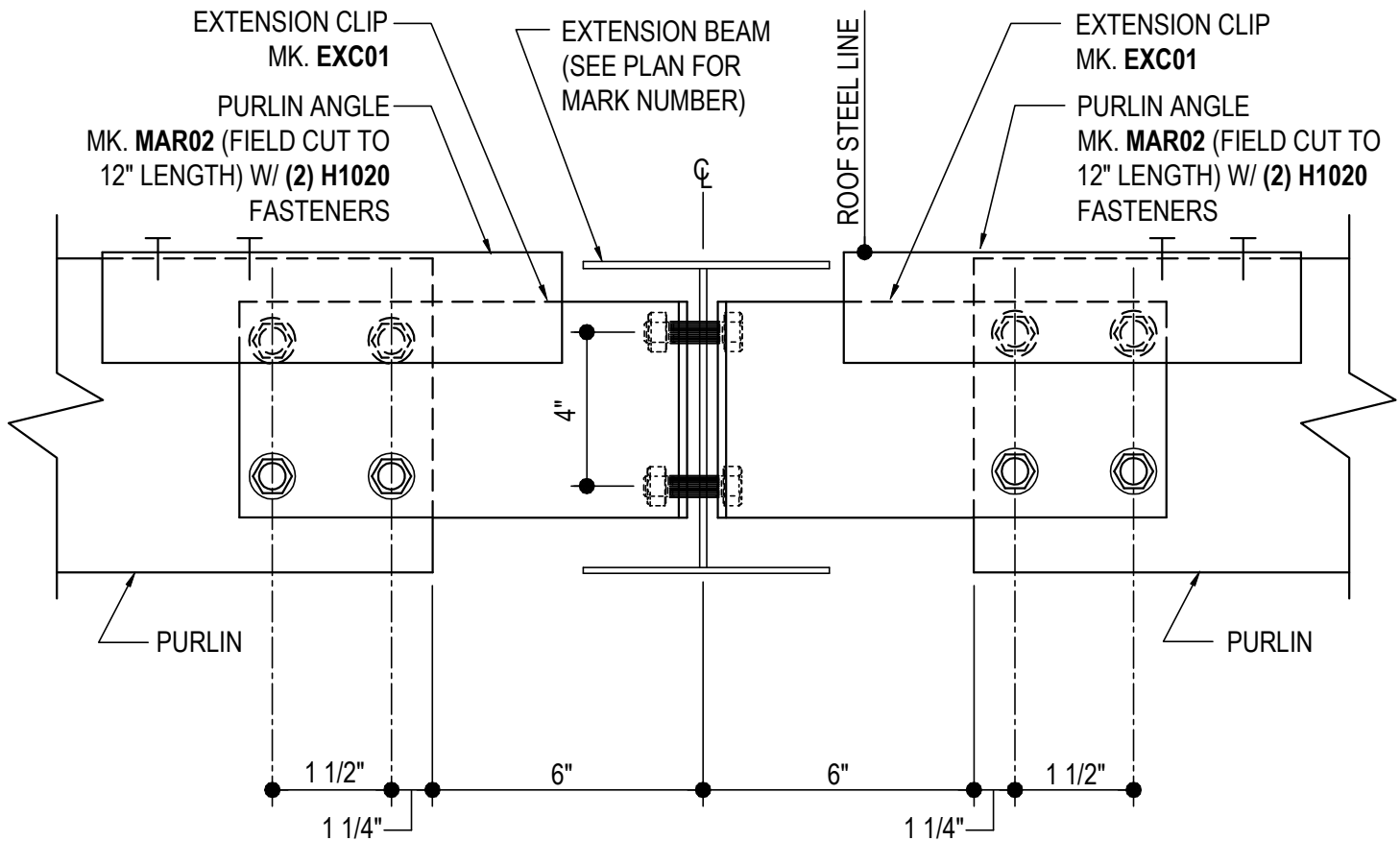
AN2010

Detailer Notes:

- 1) MAE__ ANGLE WILL BE SUPPLIED THRU ROOF SHEETING SMART KITS.
- 2) YOU WILL STILL NEED TO HAVE DETAIL BA0340 FOR EAVE ANGLE ATTACHMENT
- 3) THIS DETAIL IS ONLY USED AT 8" AND 9 1/2" EXTENSION BEAMS.

AN2020 - INTERMEDIATE PURLIN CONNECTION @ EXT. BEAM (8" & 9 1/2" SEC.)

[Download the DWG file by clicking here.](#)



INTERMEDIATE PURLIN AT EAVE EXTENSION DETAIL

NOTE: USE (10) 1/2" x 2" A325 BOLTS H0603/NUTS H0300
REFERENCE ERECTOR NOTE FOR TYPICAL WASHER REQUIREMENTS

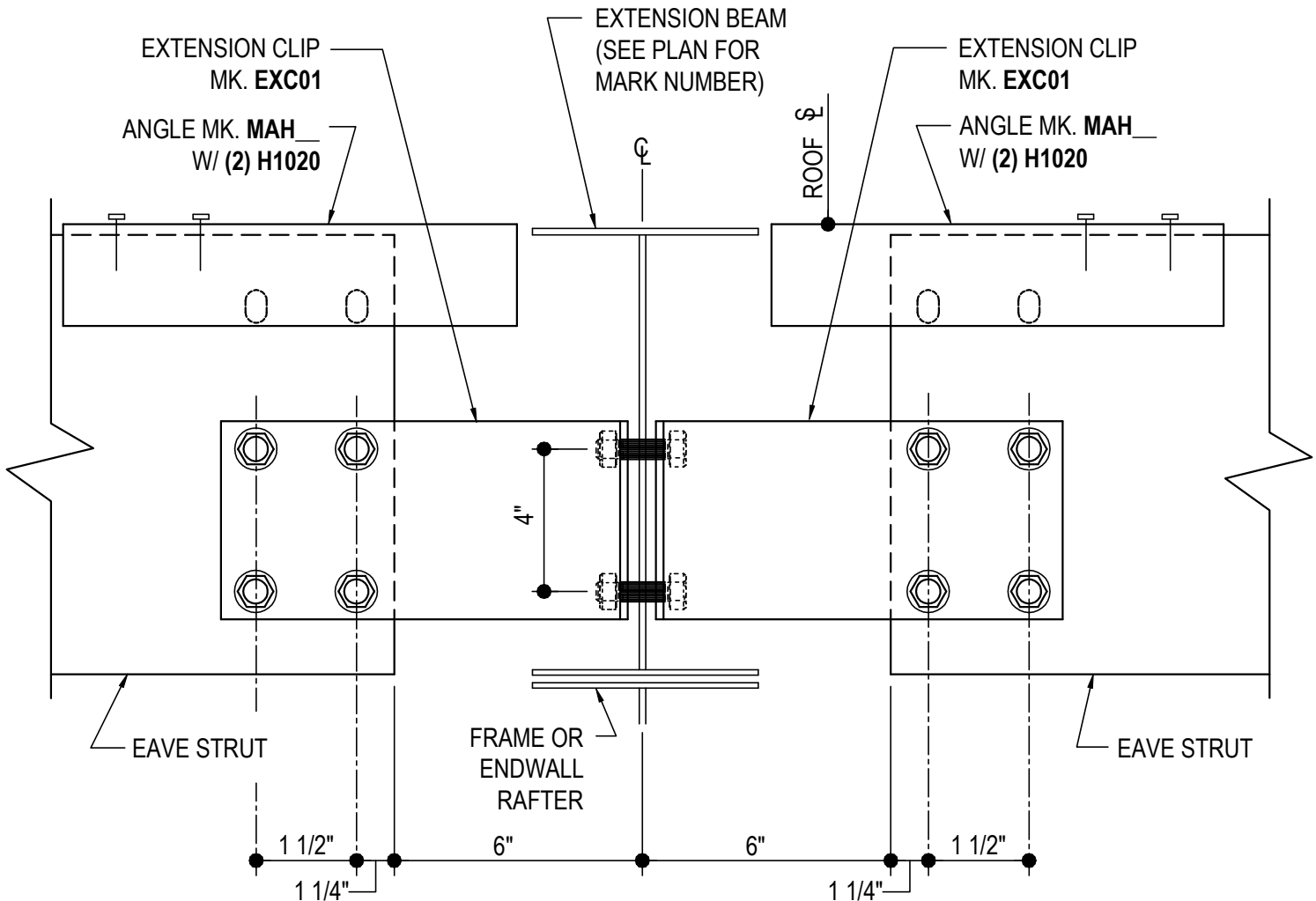
AN2020

Detailer Notes:

- 1) THIS DETAIL IS ONLY USED AT 8" AND 9 1/2" EXTENSION BEAMS.
- 2) THIS DETAIL CAN BE UTILIZED FOR LOW AND HIGH EAVE EXTENSIONS.

AN2030 - E.S. CONNECTION @ EXT. BEAM (12" SEC.)

[Download the DWG file by clicking here.](#)



EAVE STRUT AT EAVE EXTENSION DETAIL

AT 12" SECONDARY

NOTE: USE (10) 1/2" x 2" A325 BOLTS H0603/NUTS H0300

REFERENCE ERECTOR NOTE FOR TYPICAL WASHER REQUIREMENTS.

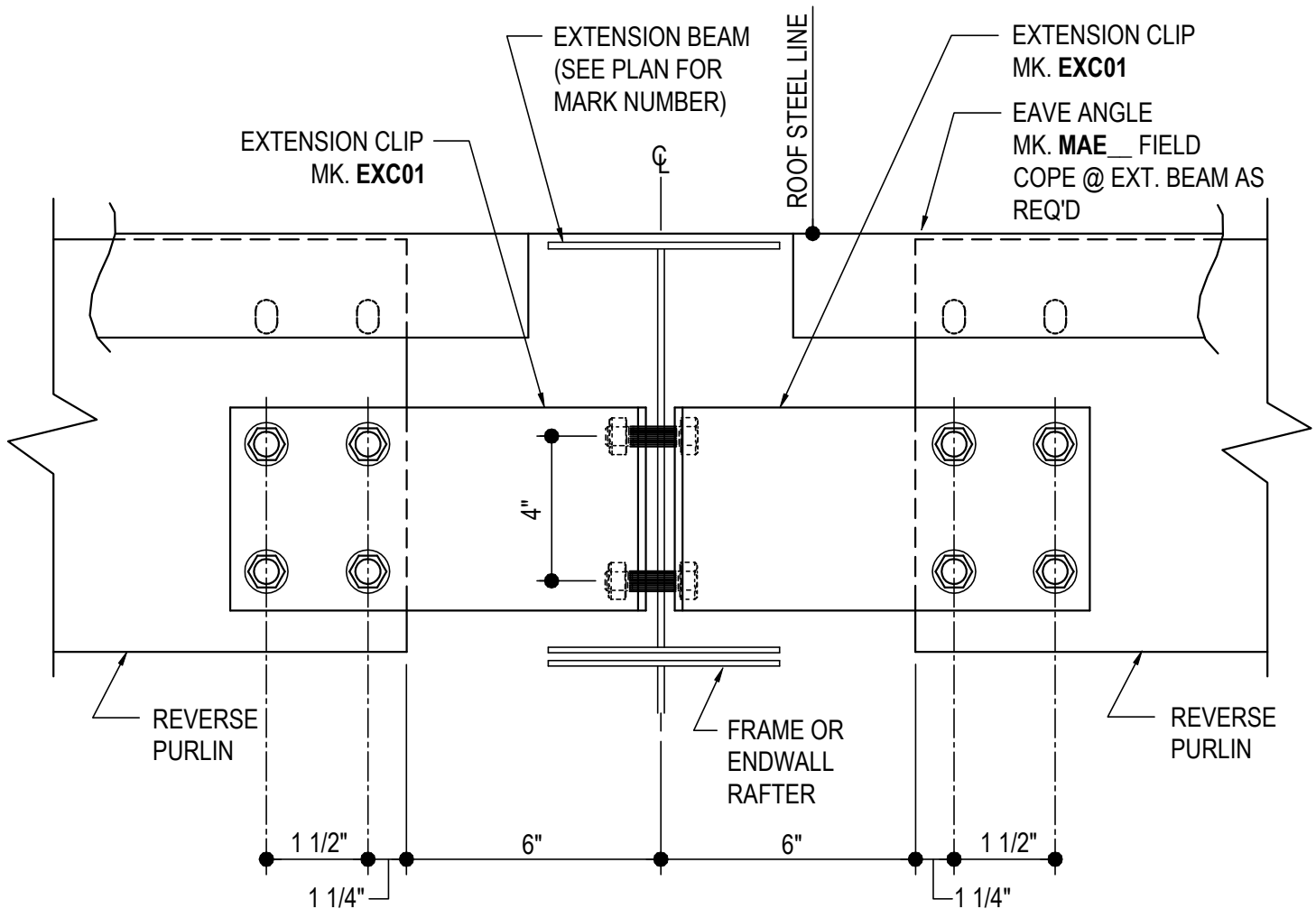
AN2030

Detailer Notes:

- 1) THIS DETAIL IS ONLY USED AT 12" EXTENSION BEAMS.

AN2040 - R.P. CONNECTION @ EXT. BEAM (12" SEC.)

[Download the DWG file by clicking here.](#)



REVERSE PURLIN AT EAVE EXTENSION DETAIL

AT 12" SECONDARY

NOTE: USE (10) 1/2" x 2" A325 BOLTS H0603/NUTS H0300

REFERENCE ERECTOR NOTE FOR TYPICAL WASHER REQUIREMENTS

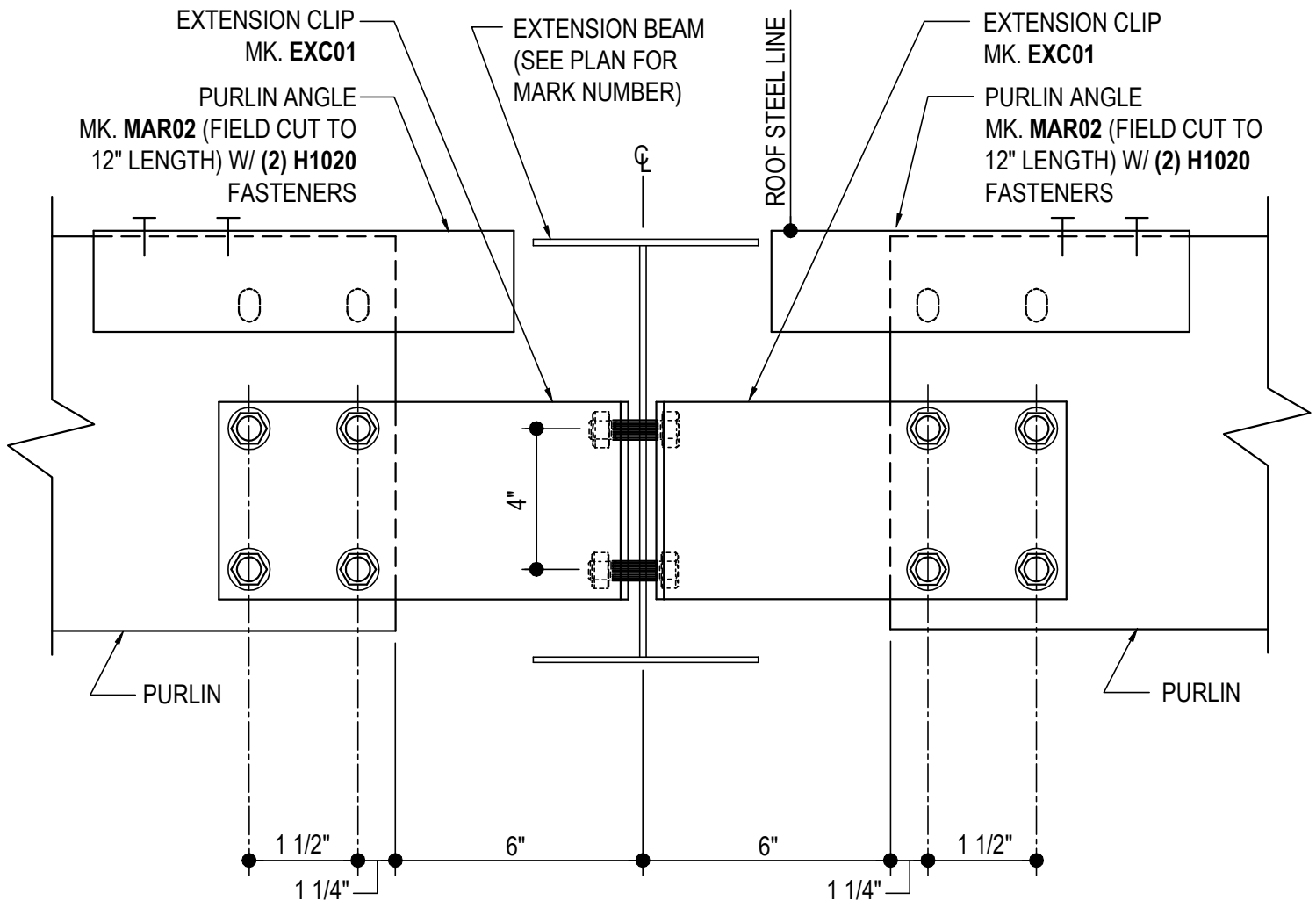
AN2040

Detailer Notes:

- 1) MAE__ ANGLE WILL BE SUPPLIED THRU ROOF SHEETING SMART KITS.
- 2) YOU WILL STILL NEED TO HAVE DETAIL BA0340 FOR EAVE ANGLE ATTACHMENT
- 3) THIS DETAIL IS ONLY USED AT 12" EXTENSION BEAMS.

AN2050 - INTERMEDIATE PURLIN CONNECTION @ EXT. BEAM (12" SEC.)

[Download the DWG file by clicking here.](#)



INTERMEDIATE PURLIN AT EAVE EXTENSION DETAIL

AT 12" SECONDARY

NOTE: USE (10) 1/2" x 2" A325 BOLTS H0603/NUTS H0300

REFERENCE ERECTOR NOTE FOR TYPICAL WASHER REQUIREMENTS

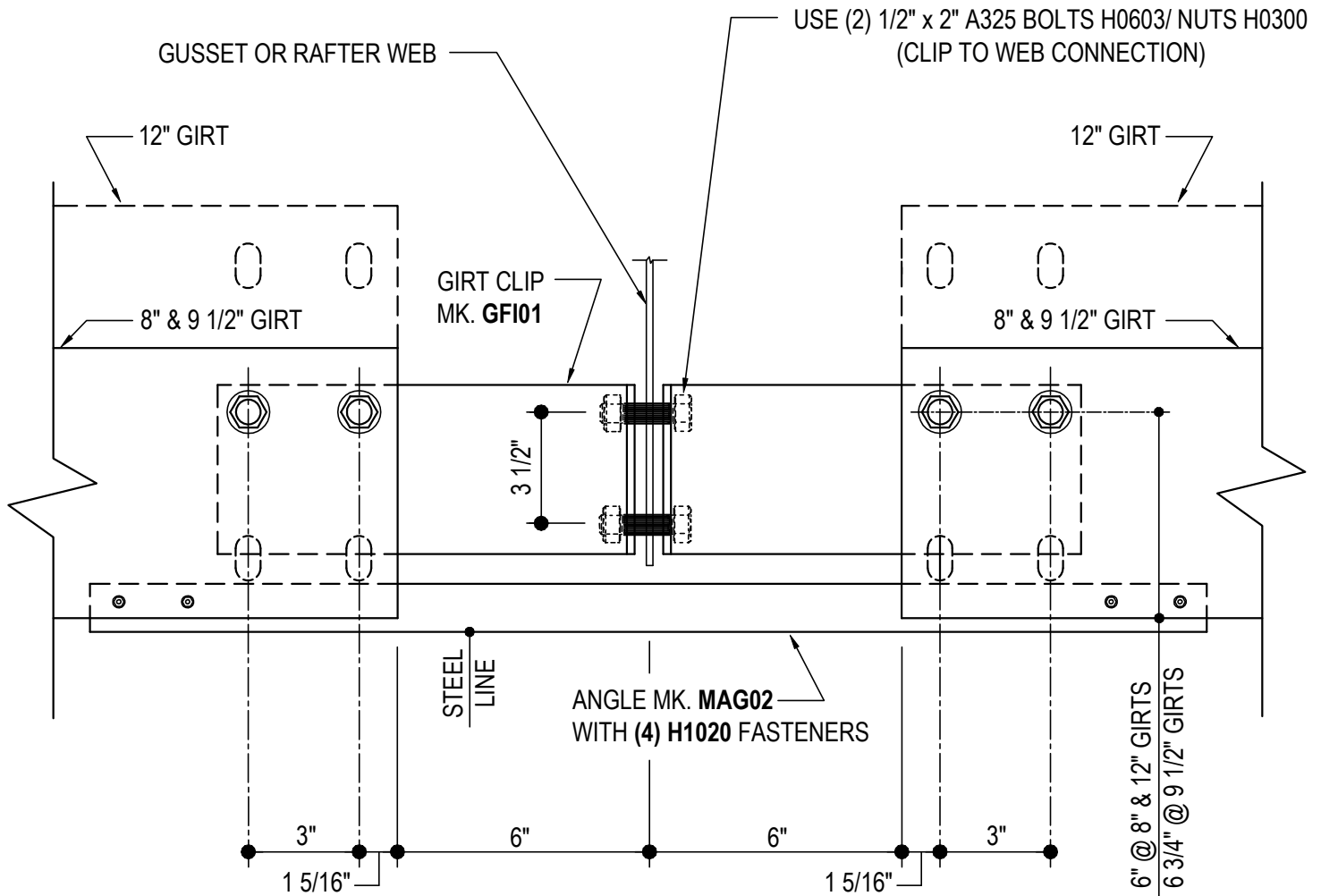
AN2050

Detailer Notes:

- 1) THIS DETAIL IS ONLY USED AT 12" EXTENSION BEAMS.
- 2) THIS DETAIL CAN BE UTILIZED FOR LOW AND HIGH EAVE EXTENSIONS.

AN2100 - HIGH EAVE BOLTED GIRT CONNECTION

[Download the DWG file by clicking here.](#)



HIGH EAVE BOLTED GIRT CONNECTION

NOTE: USE (4) 1/2" x 1 1/4" A307 BOLTS H0500/NUTS H0400
REFERENCE ERECTOR NOTE FOR TYPICAL WASHER REQUIREMENTS

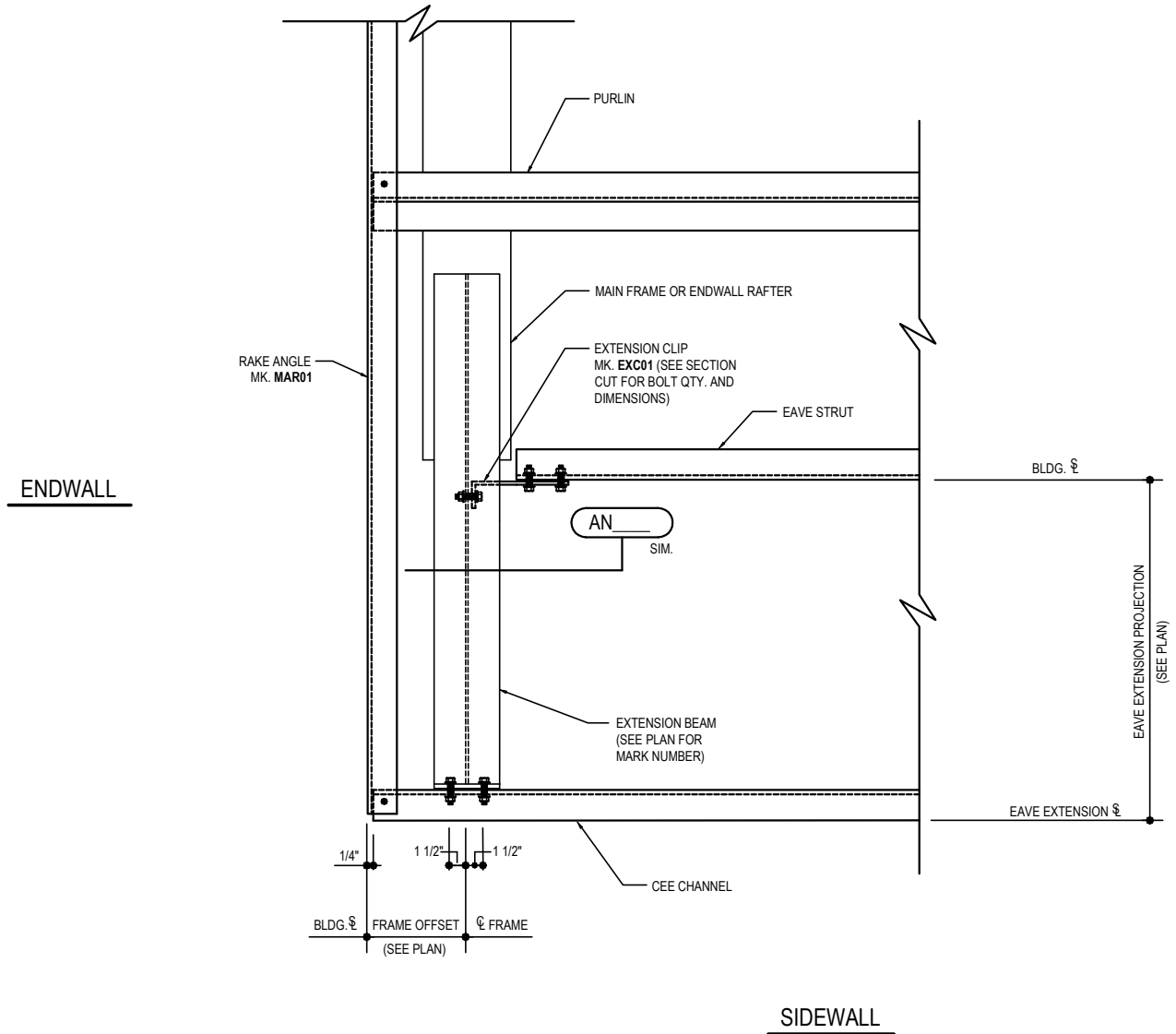
AN2100

Detailer Notes:

1)

AN3000 - LOW EAVE EXT. TERM. @ FLUSH/INSET OR MAIN FRAME ENDWALL

[Download the DWG file by clicking here.](#)



LOW EAVE EXTENSION DETAIL

FLUSH/INSET ENDWALL
NOTE: USE 1/2" x 2" A325 BOLTS H0603/NUTS H0300 (U.N.O.)

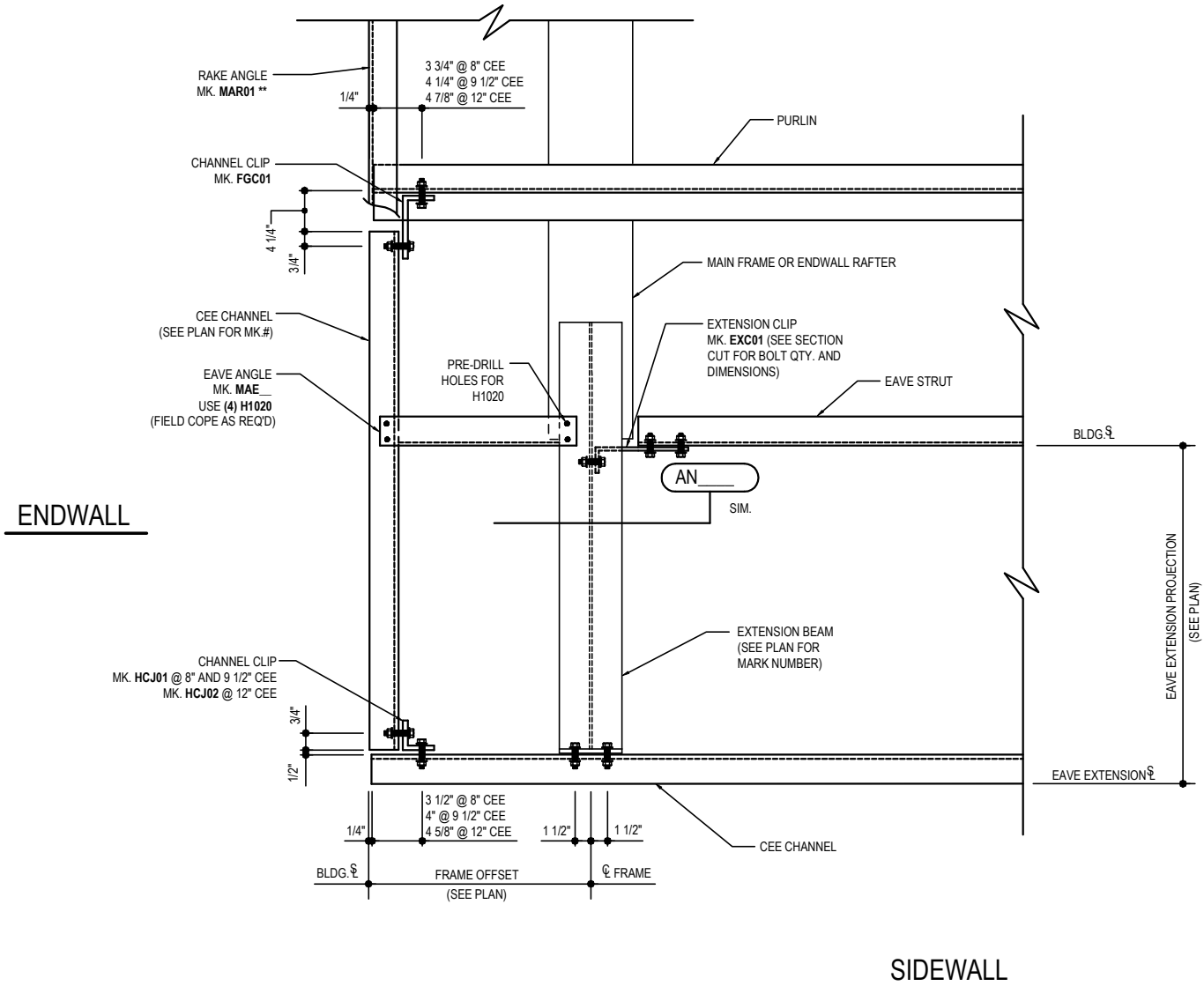
AN3000

Detailer Notes:

- 1) THIS DETAIL UTILIZES ATTRIBUTES. TO EDIT ATTRIBUTES SIMPLY DOUBLE CLICK ON THE DETAIL TO ACCESS ATTRIBUTES.

AN3010 - LOW EAVE EXT. TERM. @ BYPASS OR MAIN FRAME ENDWALL

[Download the DWG file by clicking here.](#)



LOW EAVE EXTENSION DETAIL

BYPASS/EXPANSION ENDWALL
NOTE: USE 1/2" x 2" A325 BOLTS H0603/NUTS H0300 (U.N.O.)
** EXTEND MAR01 ANGLE TO EXTENSION STEEL LINE

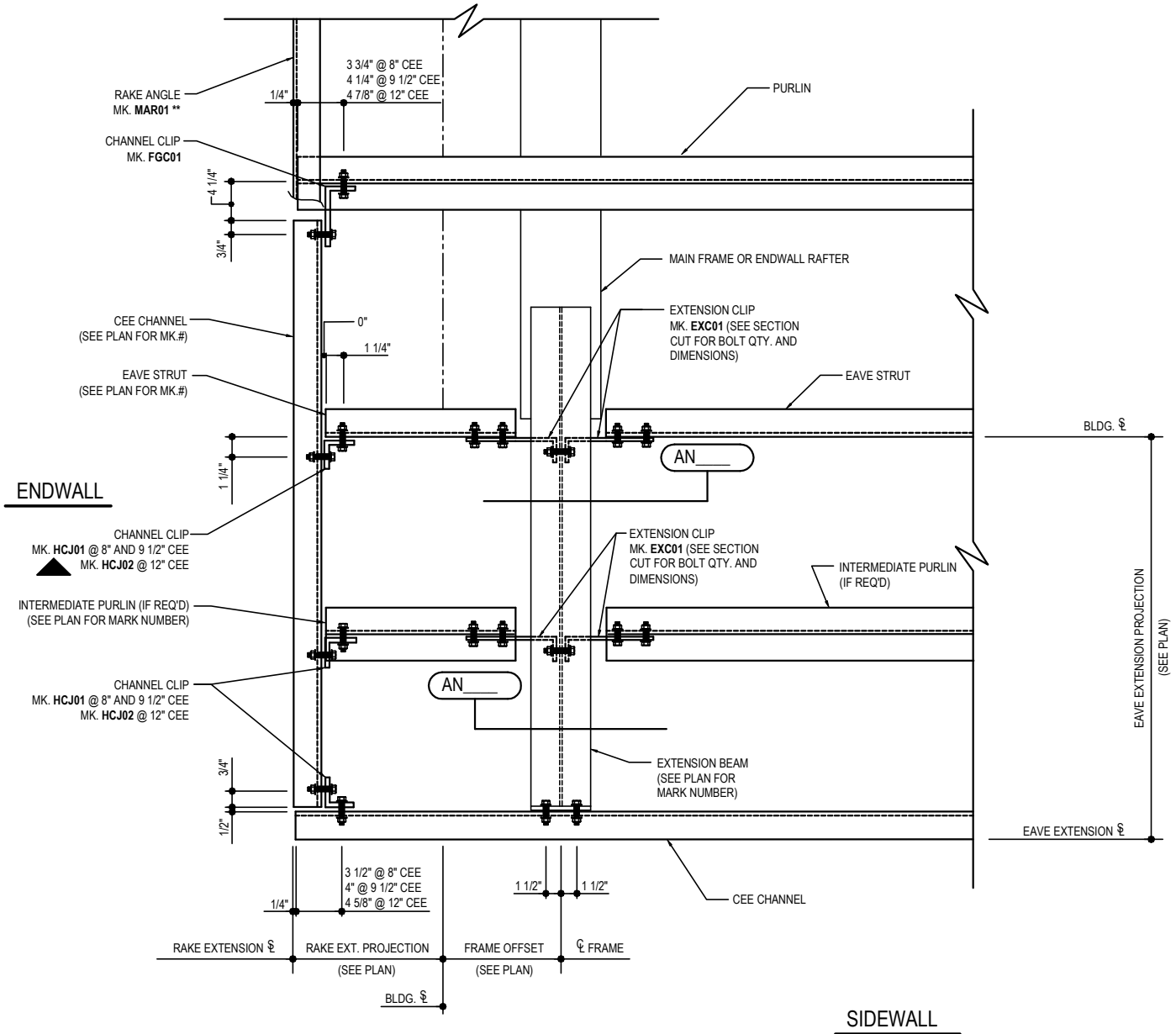
AN3010

Detailer Notes:

- 1) THIS DETAIL UTILIZES ATTRIBUTES. TO EDIT ATTRIBUTES SIMPLY DOUBLE CLICK ON THE DETAIL TO ACCESS ATTRIBUTES.

AN3020 - LOW EAVE & RAKE EXT. TERM. @ BYPASS OR MAIN FRAME ENDWALL

[Download the DWG file by clicking here.](#)



LOW EAVE & RAKE EXTENSION DETAIL

NOTE: USE 1/2" x 2" A325 BOLTS H0603/ NUTS H0300 (U.N.O.)
 ** - EXTEND MAR01 TO EXTENSION STEEL LINE
 ▲ = FIELD WORK MAY BE REQUIRED FOR PROPER CLIP FIT UP.

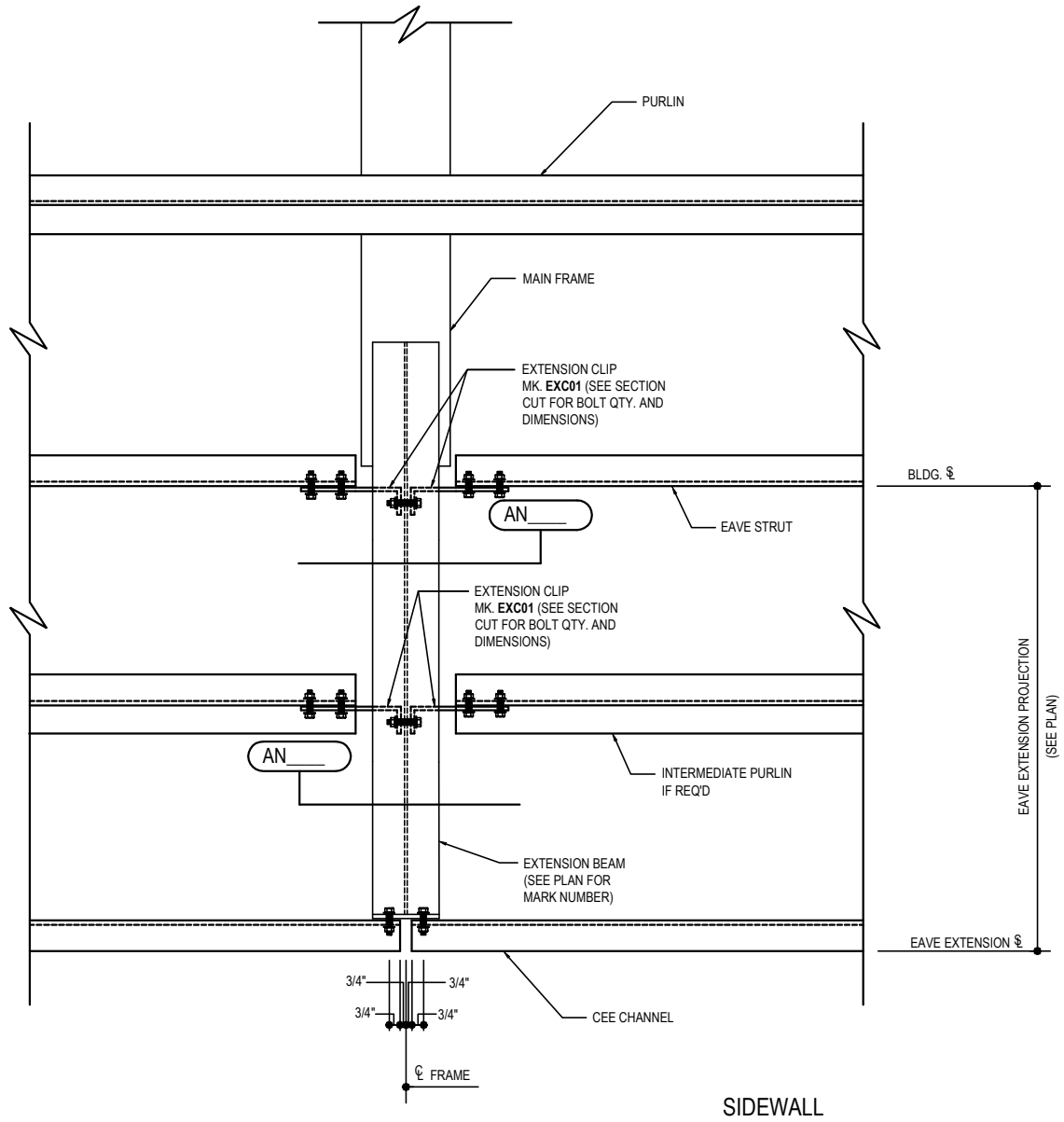
AN3020

Detailer Notes:

1) THIS DETAIL UTILIZES ATTRIBUTES. TO EDIT ATTRIBUTES SIMPLY DOUBLE CLICK ON THE DETAIL TO ACCESS ATTRIBUTES.

AN3030 - LOW EAVE EXT. @ MAIN FRAME

[Download the DWG file by clicking here.](#)



LOW EAVE EXTENSION DETAIL

NOTE: USE 1/2"x 2" A325 BOLTS H0603/NUTS H0300 (U.N.O.)

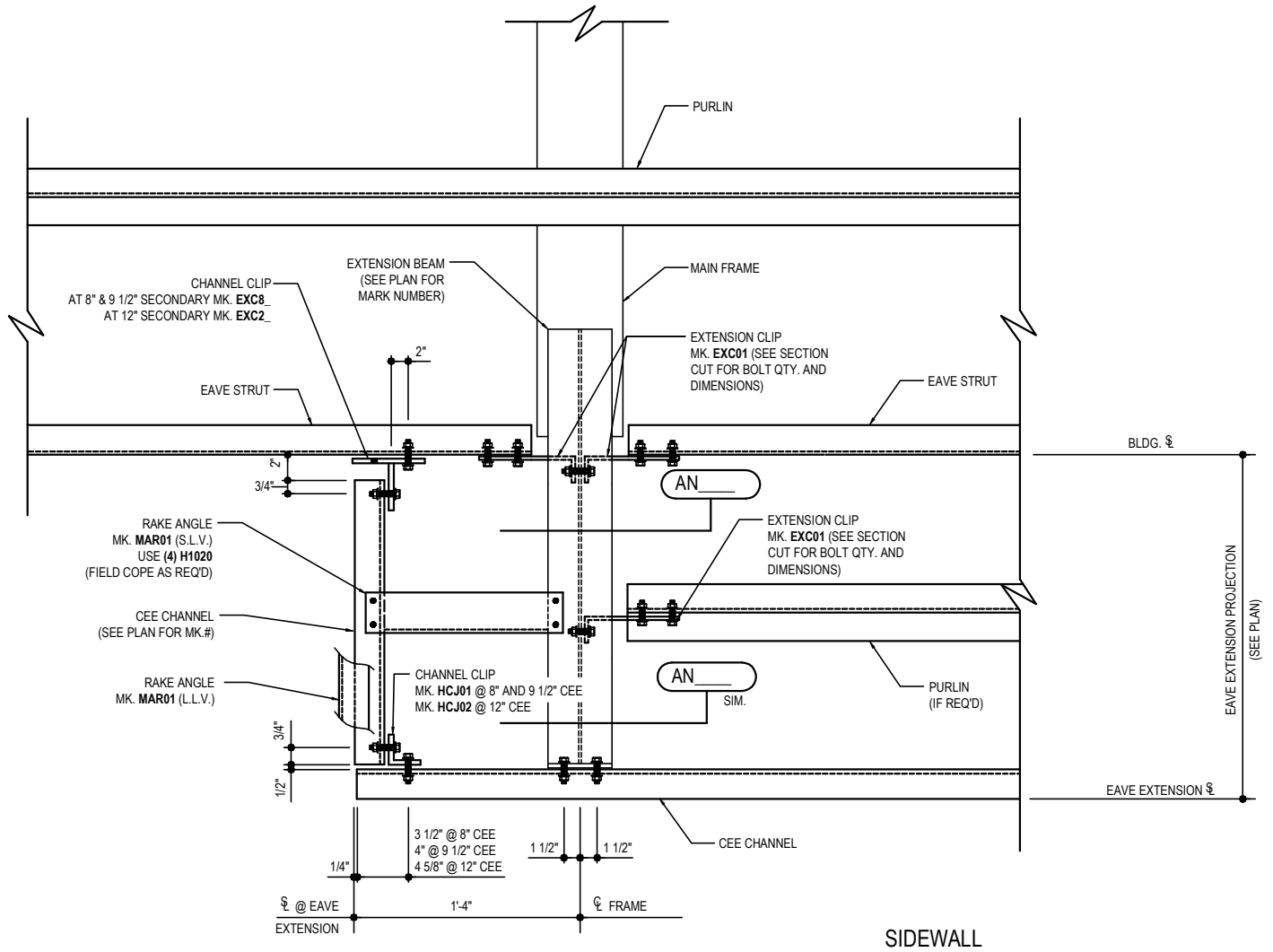
AN3030

Detailer Notes:

- 1) THIS DETAIL UTILIZES ATTRIBUTES. TO EDIT ATTRIBUTES SIMPLY DOUBLE CLICK ON THE DETAIL TO ACCESS ATTRIBUTES.

AN3040 - LOW EAVE EXT. TERM. @ MAIN FRAMES

[Download the DWG file by clicking here.](#)



LOW EAVE EXTENSION DETAIL

NOTE: USE 1/2" X 2" A325 BOLTS H0603/NUTS H0300 (U.N.O.)

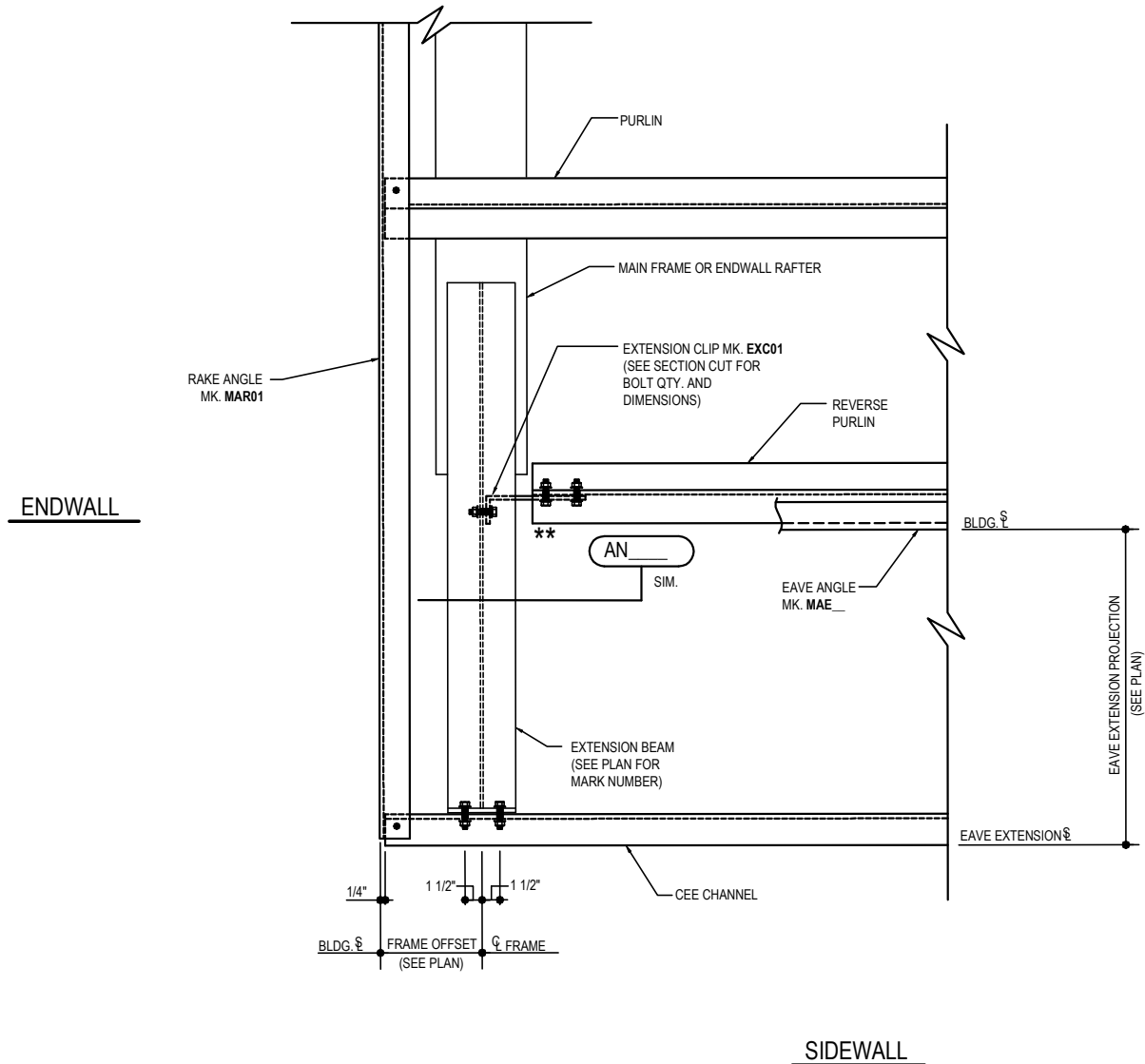
AN3040

Detailer Notes:

- 1) THIS DETAIL UTILIZES ATTRIBUTES. TO EDIT ATTRIBUTES SIMPLY DOUBLE CLICK ON THE DETAIL TO ACCESS ATTRIBUTES.

AN3100 - LOW EAVE EXT. TERM. @ FLUSH/INSET OR MAIN FRAME ENDWALL

[Download the DWG file by clicking here.](#)



LOW EAVE EXTENSION DETAIL

FLUSH/INSET END WALL

** BUTT MAE_ ANGLE TIGHT TO EXTENSION BEAM FLANGE

NOTE: USE 1/2" x 2" A325 BOLTS H0603/NUTS H0300 (U.N.O.)

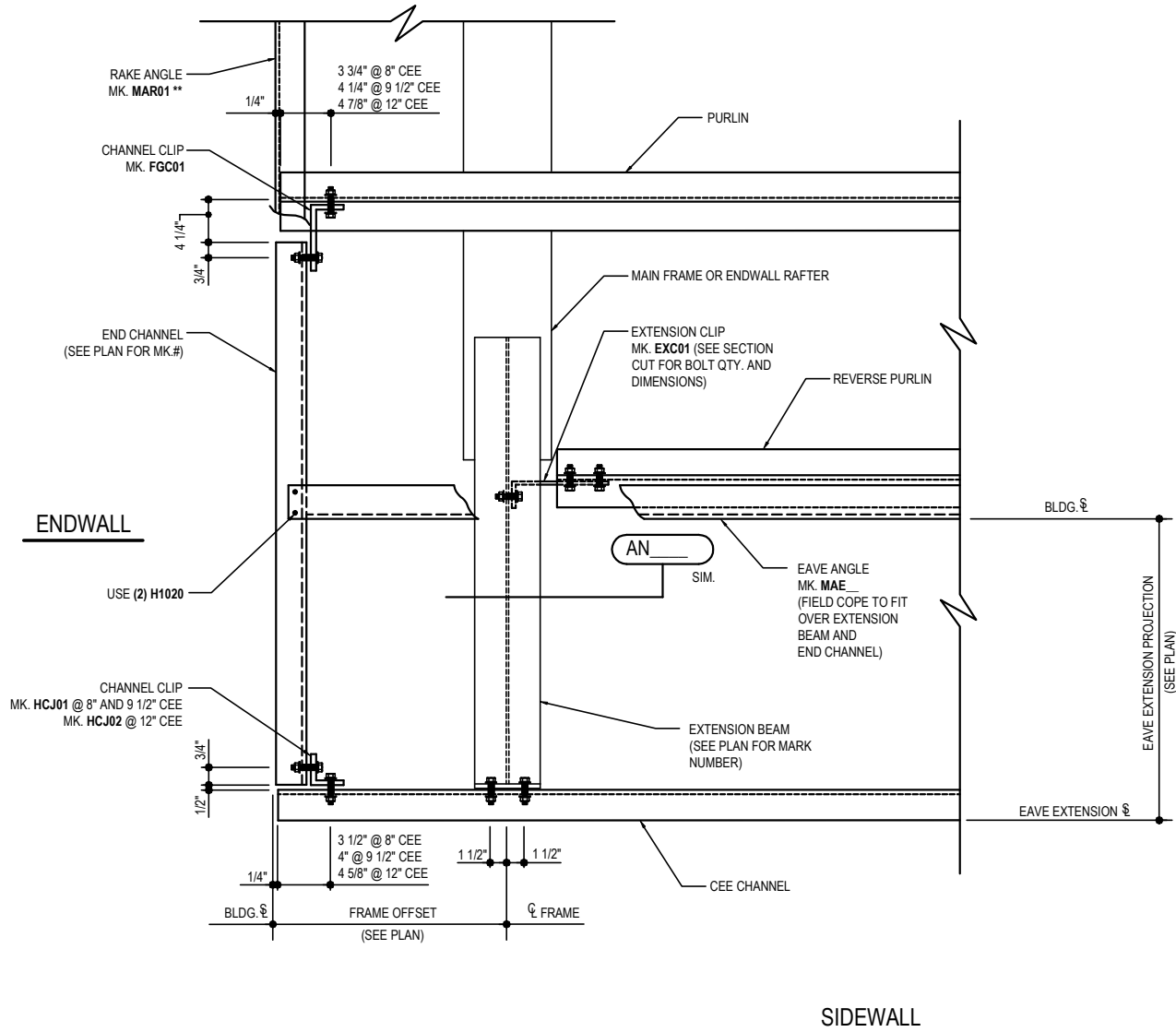
AN3100

Detailer Notes:

- 1) THIS DETAIL UTILIZES ATTRIBUTES. TO EDIT ATTRIBUTES SIMPLY DOUBLE CLICK ON THE DETAIL TO ACCESS ATTRIBUTES.
- 2) YOU WILL STILL NEED TO HAVE DETAIL BA0340 FOR EAVE ANGLE ATTACHMENT.

AN3110 - LOW EAVE EXT. TERM. @ BYPASS OR MAIN FRAME ENDWALL

[Download the DWG file by clicking here.](#)



LOW EAVE EXTENSION DETAIL

BYPASS/EXPANSION EW
NOTE: USE 1/2" x 2" A325 BOLTS H0603/NUTS H0300 (U.N.O.)
** EXTEND MAR01 ANGLE TO EXTENSION STEEL LINE

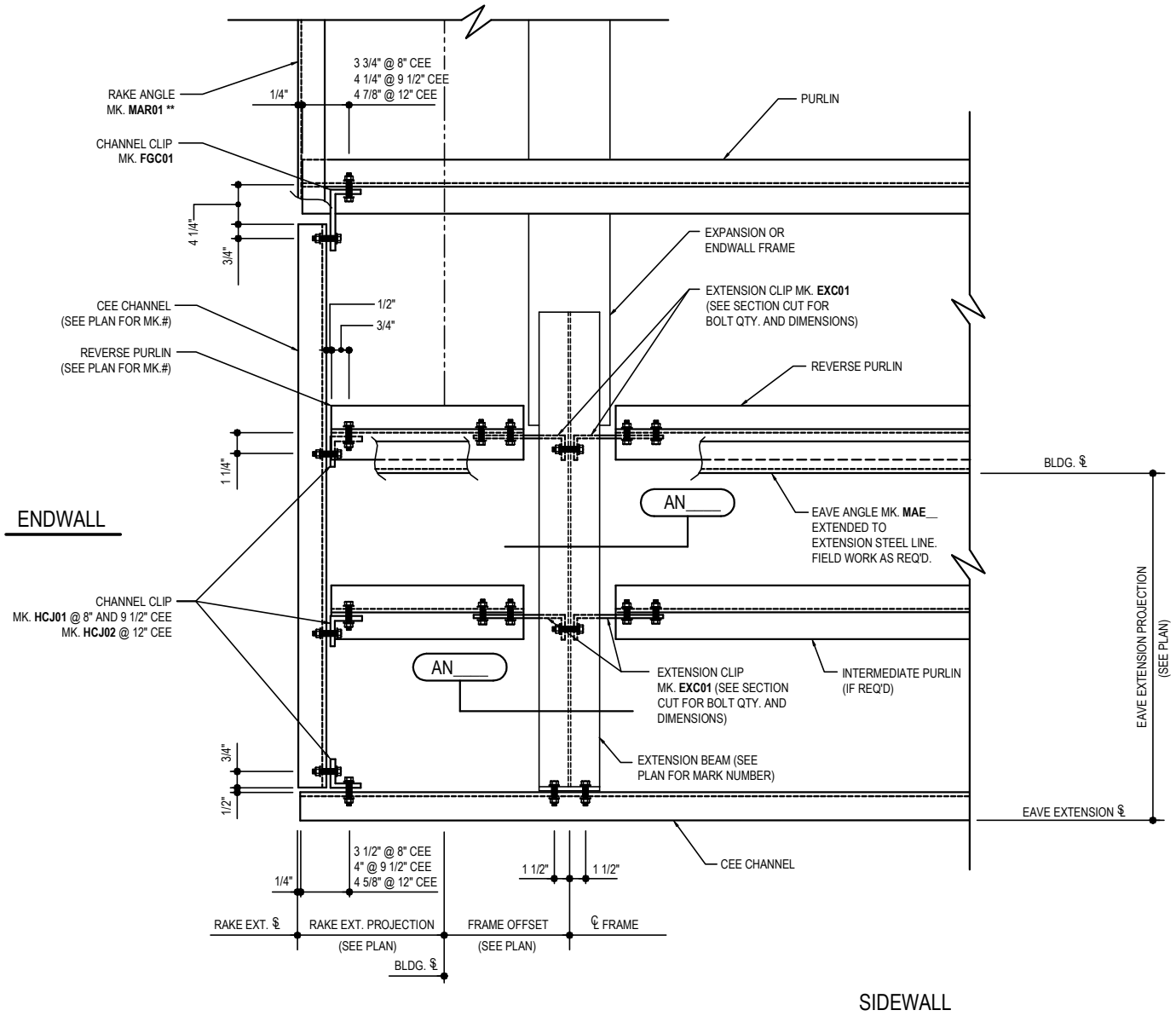
AN3110

Detailer Notes:

- 1) THIS DETAIL UTILIZES ATTRIBUTES. TO EDIT ATTRIBUTES SIMPLY DOUBLE CLICK ON THE DETAIL TO ACCESS ATTRIBUTES.
- 2) YOU WILL STILL NEED TO HAVE DETAIL BA0340 FOR EAVE ANGLE ATTACHMENT.

AN3120 - LOW EAVE & RAKE EXT. TERM. @ BYPASS OR MAIN FRAME ENDWALL

[Download the DWG file by clicking here.](#)



LOW EAVE & RAKE EXTENSION DETAIL

NOTE: USE 1/2" x 2" A325 BOLTS H0603/NUTS H0300 (U.N.O.)
 ** EXTEND MAR01 ANGLE TO EXTENSION STEEL LINE

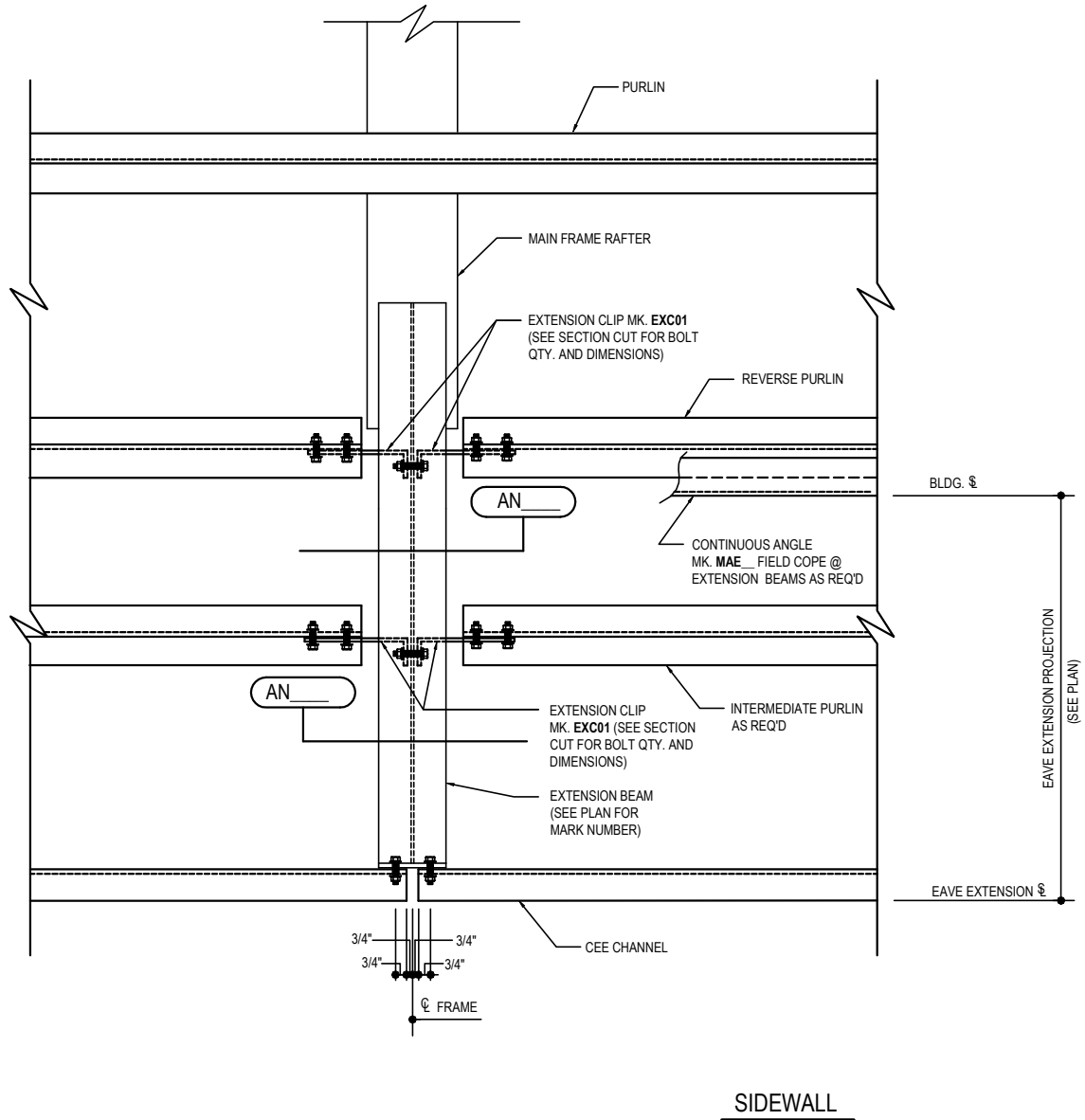
AN3120

Detailer Notes:

- 1) THIS DETAIL UTILIZES ATTRIBUTES. TO EDIT ATTRIBUTES SIMPLY DOUBLE CLICK ON THE DETAIL TO ACCESS ATTRIBUTES.
- 2) YOU WILL STILL NEED TO HAVE DETAIL BA0340 FOR EAVE ANGLE ATTACHMENT.

AN3130 - LOW EAVE EXT. @ MAIN FRAMES

[Download the DWG file by clicking here.](#)



LOW EAVE EXTENSION DETAIL

NOTE: USE 1/2"x 2" A325 BOLTS H0603/NUTS H0300 (U.N.O.)

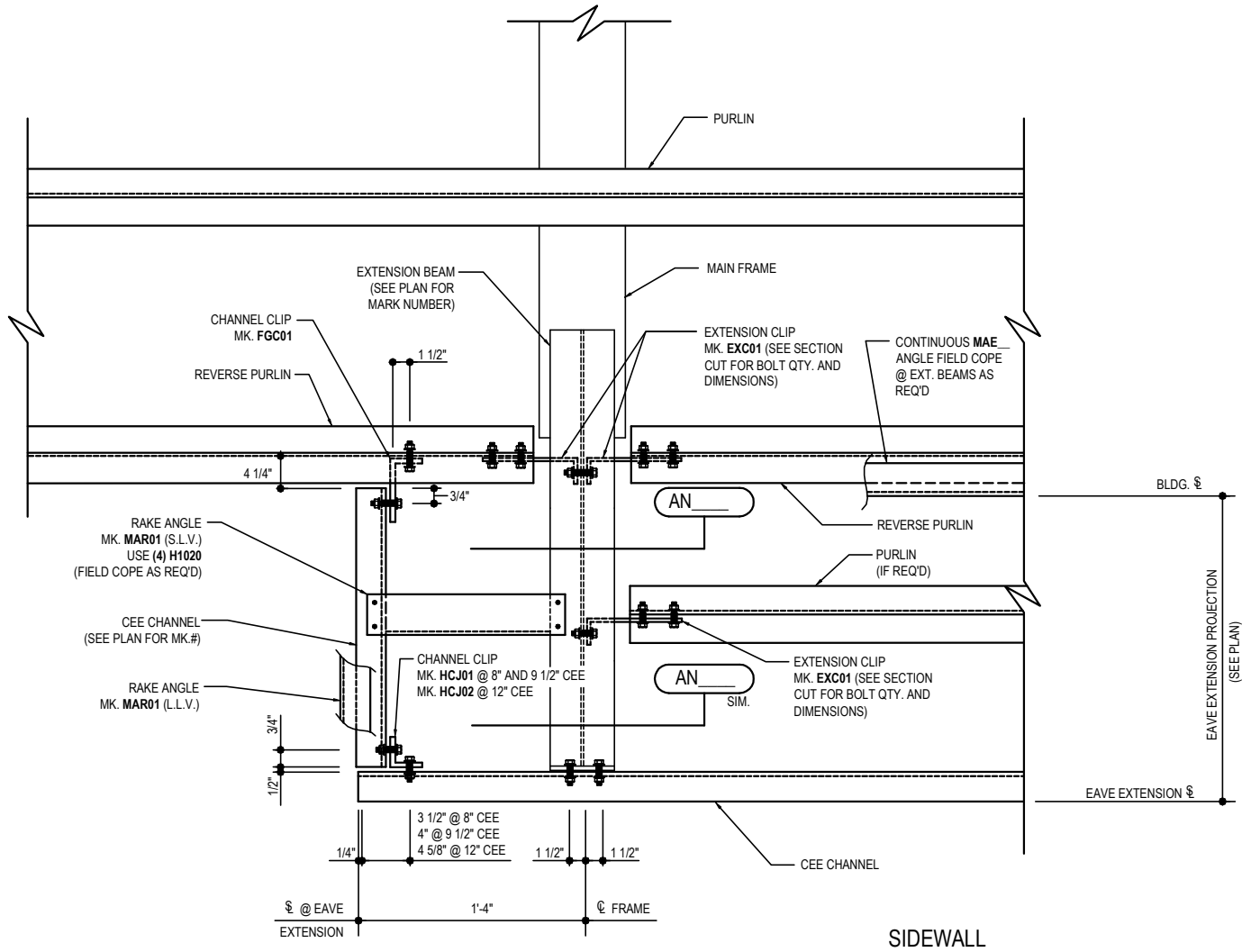
AN3130

Detailer Notes:

- 1) THIS DETAIL UTILIZES ATTRIBUTES. TO EDIT ATTRIBUTES SIMPLY DOUBLE CLICK ON THE DETAIL TO ACCESS ATTRIBUTES.
- 2) YOU WILL STILL NEED TO HAVE DETAIL BA0340 FOR EAVE ANGLE ATTACHMENT.

AN3140 - LOW EAVE EXT. TERM. @ MAIN FRAMES

[Download the DWG file by clicking here.](#)



LOW EAVE EXTENSION DETAIL

NOTE: USE 1/2"X 2" A325 BOLTS H0603/NUTS H0300 (U.N.O.)

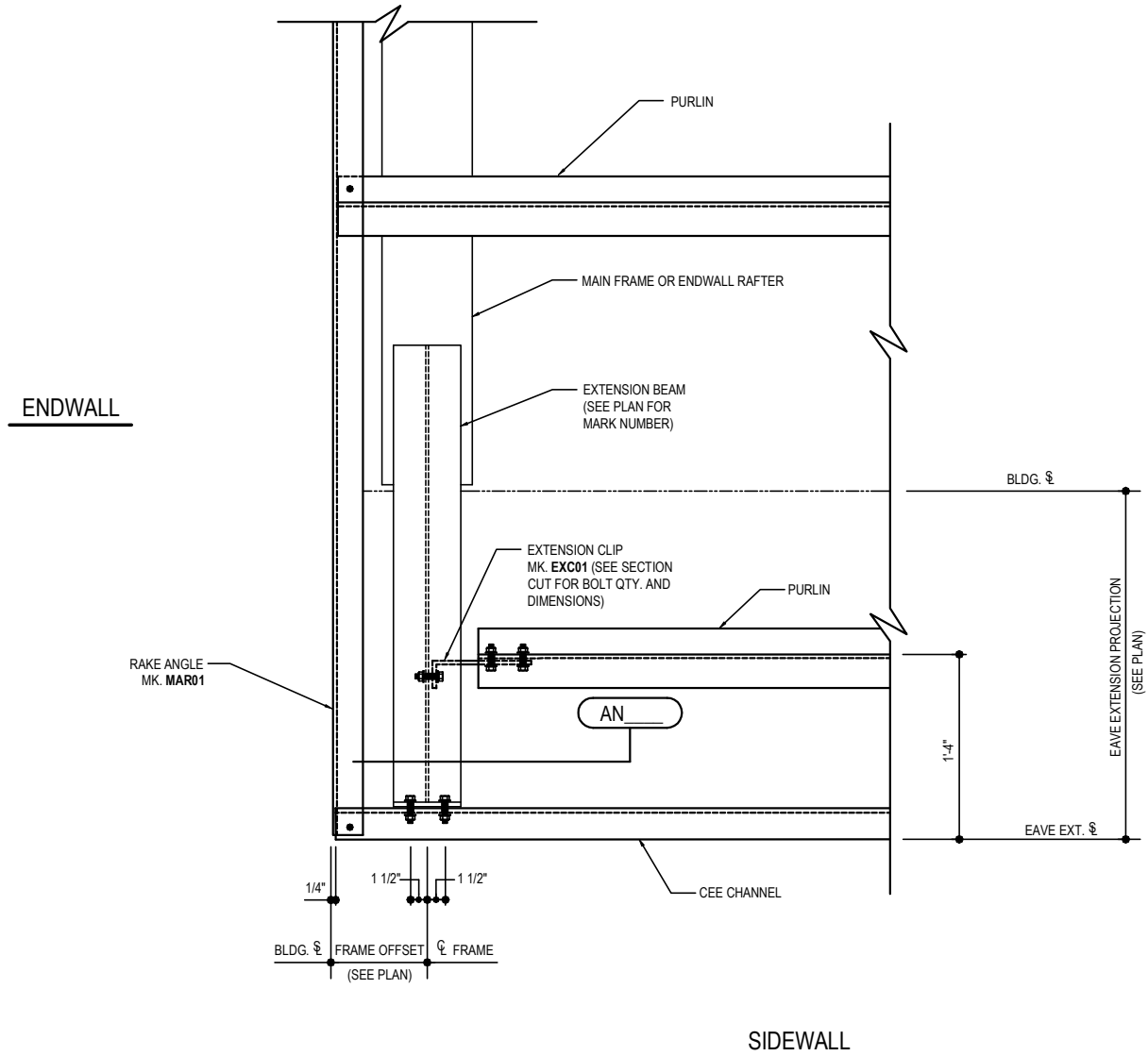
AN3140

Detailer Notes:

- 1) THIS DETAIL UTILIZES ATTRIBUTES. TO EDIT ATTRIBUTES SIMPLY DOUBLE CLICK ON THE DETAIL TO ACCESS ATTRIBUTES.
- 2) YOU WILL STILL NEED TO HAVE DETAIL BA0340 FOR EAVE ANGLE ATTACHMENT.

AN3200 - HIGH EAVE EXT. TERM. @ FLUSH/INSET OR MAIN FRAME ENDWALL

[Download the DWG file by clicking here.](#)



HIGH EAVE EXTENSION DETAIL

FLUSH/INSET OR EXPANSION ENDWALL
NOTE: USE 1/2" X 2" A325 BOLTS H0603/NUTS H0300 (U.N.O.)

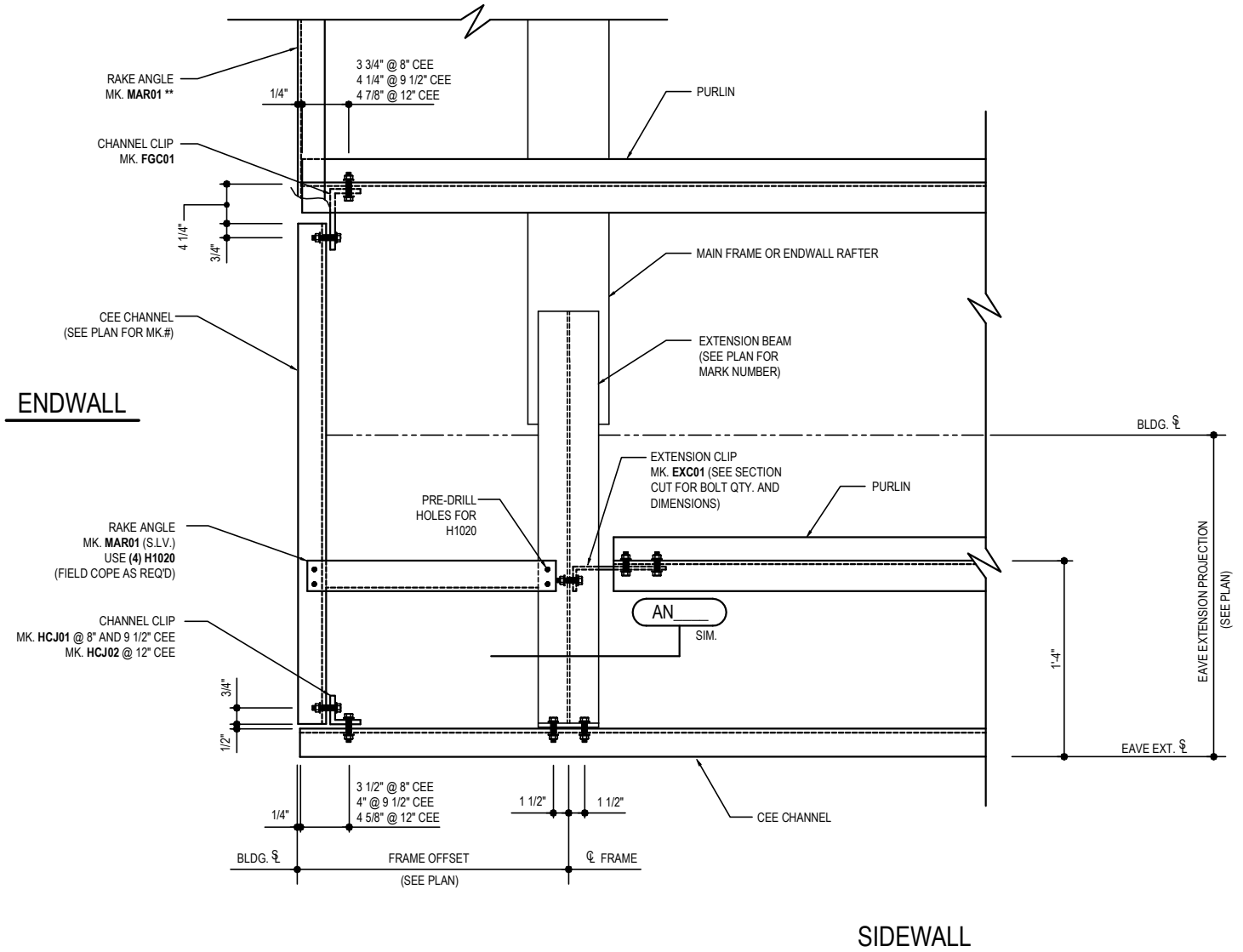
AN3200

Detailer Notes:

1) THIS DETAIL UTILIZES ATTRIBUTES. TO EDIT ATTRIBUTES SIMPLY DOUBLE CLICK ON THE DETAIL TO ACCESS ATTRIBUTES.

AN3210 - HIGH EAVE EXT. TERM. @ BYPASS OR MAIN FRAME ENDWALL

[Download the DWG file by clicking here.](#)



HIGH EAVE EXTENSION DETAIL

BYPASS OR FULL FRAME ENDWALL
NOTE: USE 1/2" x 2" A325 BOLTS H0603/NUTS H0300 (U.N.O.)
** EXTEND MAR01 ANGLE TO EXTENSION STEEL LINE

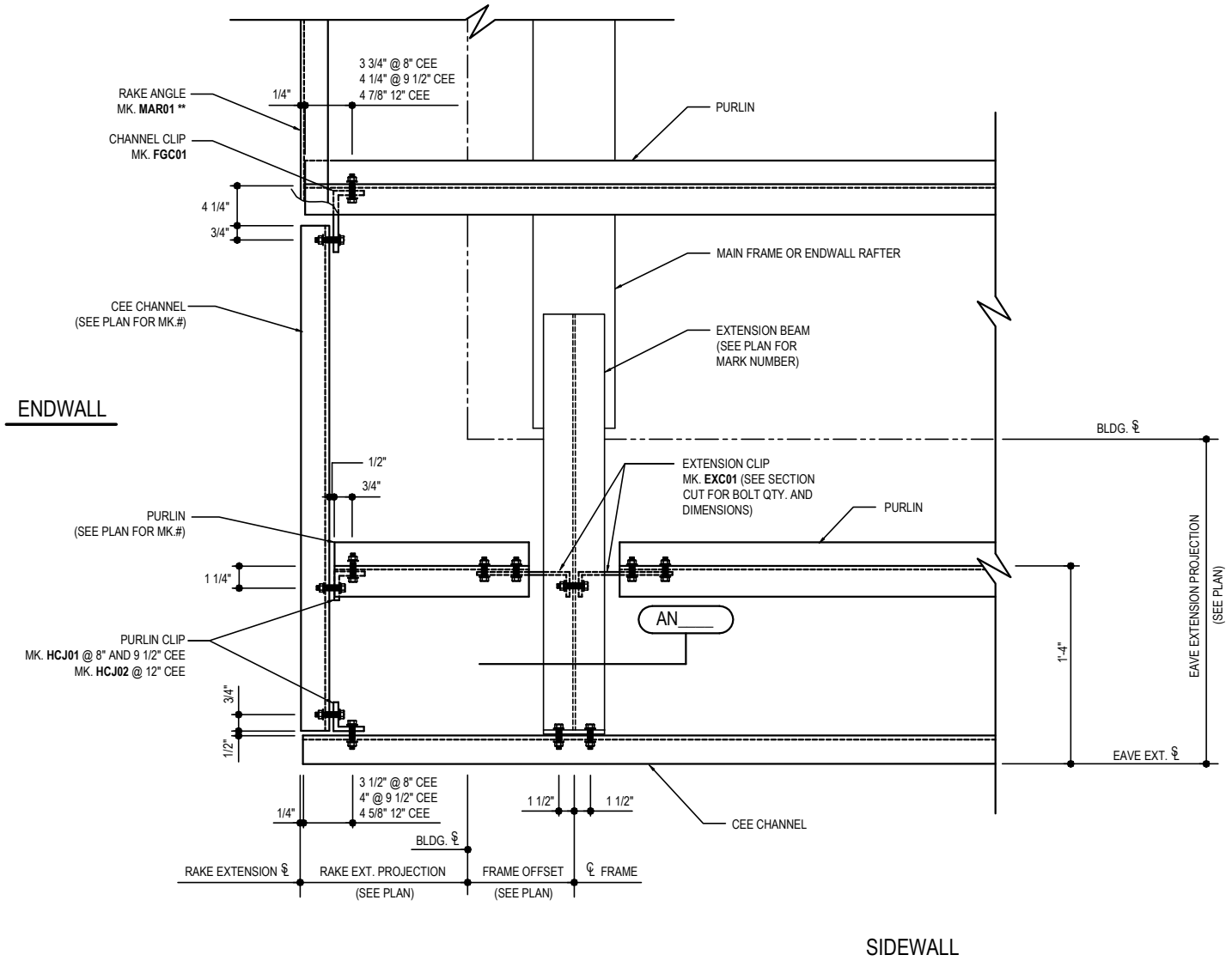
AN3210

Detailer Notes:

- 1) THIS DETAIL UTILIZES ATTRIBUTES. TO EDIT ATTRIBUTES SIMPLY DOUBLE CLICK ON THE DETAIL TO ACCESS ATTRIBUTES.

AN3220 - HIGH EAVE & RAKE EXT. TERM. @ BYPASS OR MAIN FRAME ENDWALL

[Download the DWG file by clicking here.](#)



HIGH EAVE & RAKE EXTENSION DETAIL

NOTE: USE 1/2" x 2" A325 BOLTS H0603/NUTS H0300 (U.N.O)
 ** EXTEND MAR01 ANGLE TO EXTENSION STEEL LINE

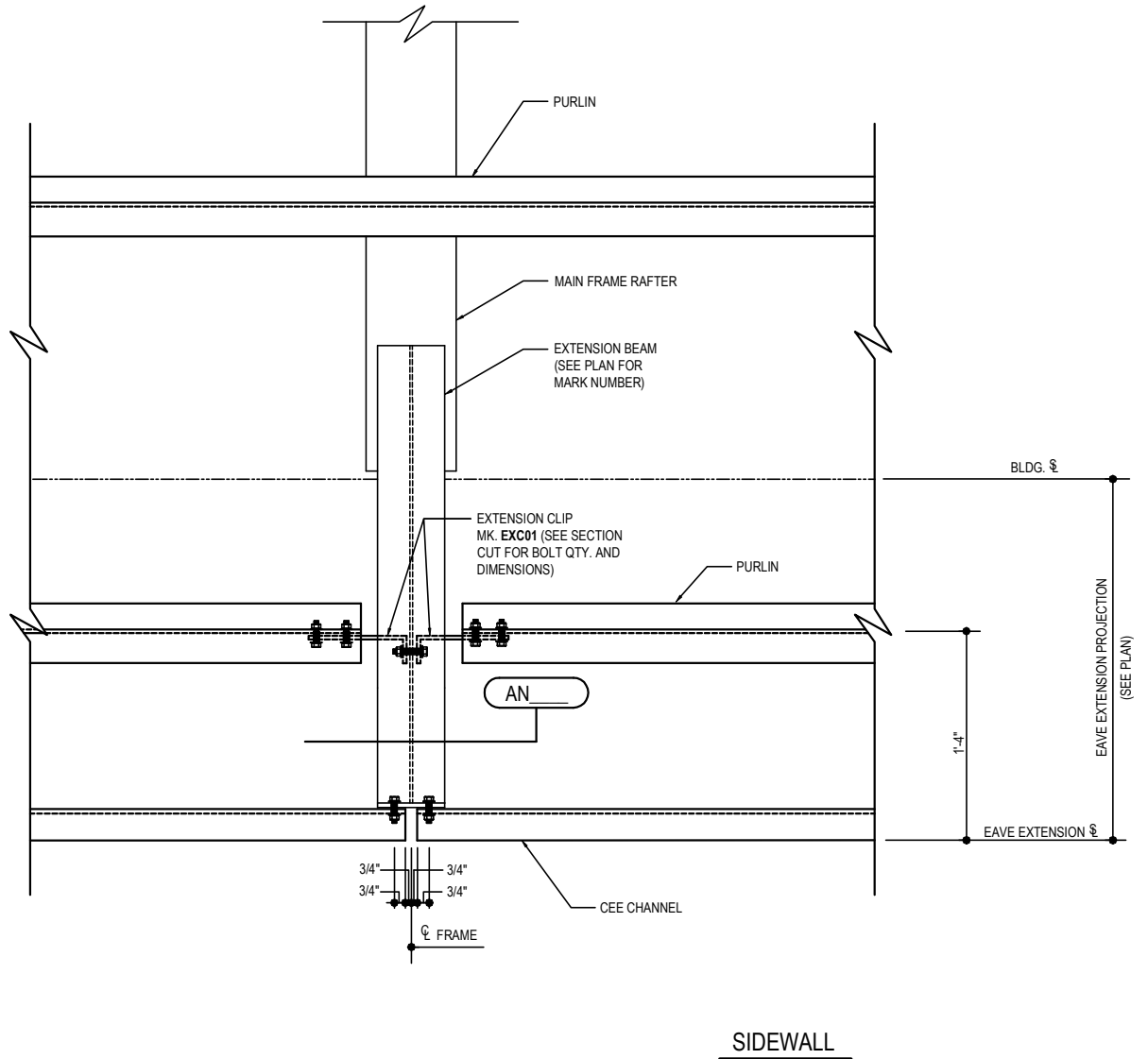
AN3220

Detailer Notes:

- 1) THIS DETAIL UTILIZES ATTRIBUTES. TO EDIT ATTRIBUTES SIMPLY DOUBLE CLICK ON THE DETAIL TO ACCESS ATTRIBUTES.

AN3230 - HIGH EAVE EXT. @ MAIN FRAMES

[Download the DWG file by clicking here.](#)



HIGH EAVE EXTENSION DETAIL

NOTE: USE 1/2" X 2" A325 BOLTS H0603/NUTS H0300 (U.N.O.)

AN3230

Detailer Notes:

- 1) THIS DETAIL UTILIZES ATTRIBUTES. TO EDIT ATTRIBUTES SIMPLY DOUBLE CLICK ON THE DETAIL TO ACCESS ATTRIBUTES.